

# Mountain Top® Alu Liner

Installation manual

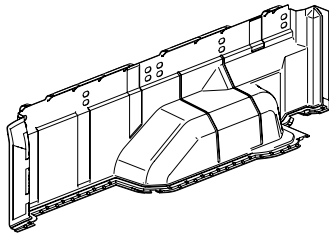


DOWNLOAD PDF



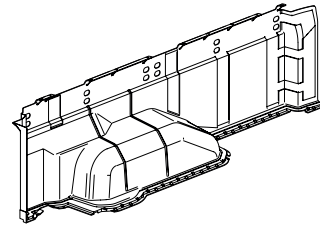
Parts

**A**



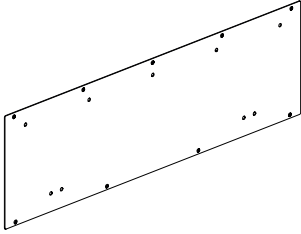
x 1

**B**



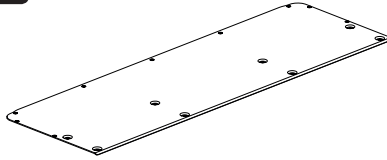
x 1

**C**



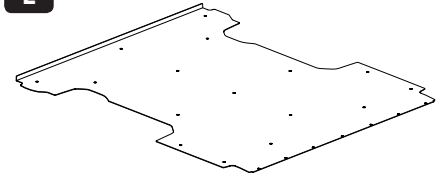
x 1

**D**



x 1

**E**

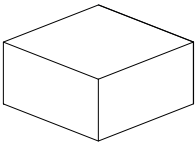


x 1



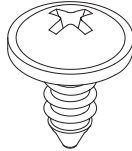
Kit

**F**



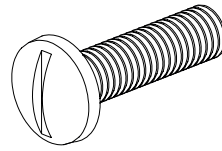
x 4

**G**



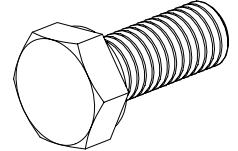
x 41

**H**



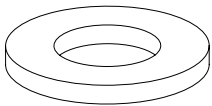
x 5

**I**



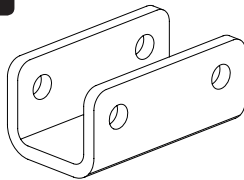
x 4

**J**



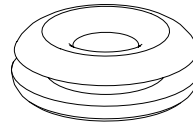
x 4

**K**

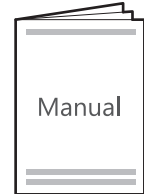


x 2

**L**



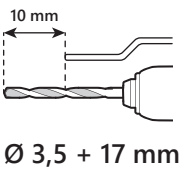
x 4



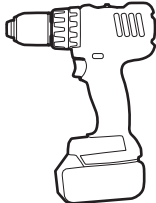
x 1



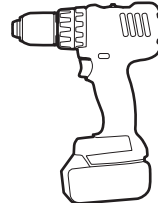
Tools and materials needed



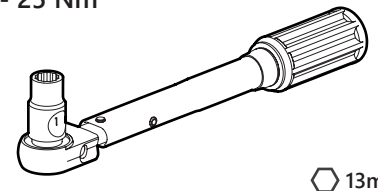
Ø 3,5 + 17 mm



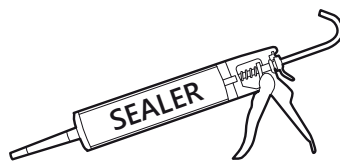
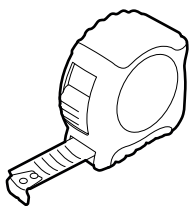
PH 1  
2300 RPM



1 - 25 Nm



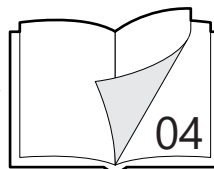
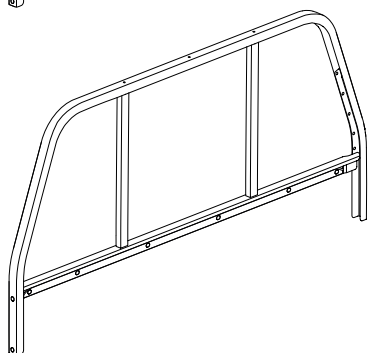
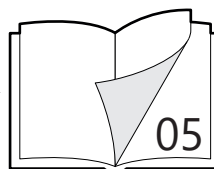
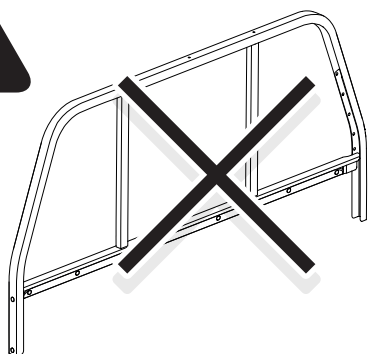
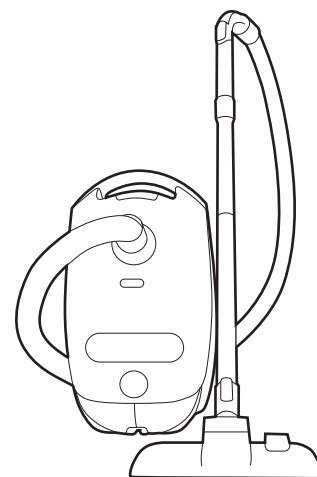
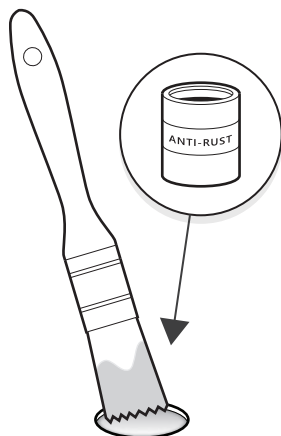
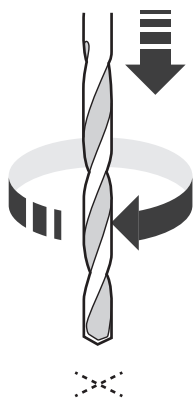
13mm

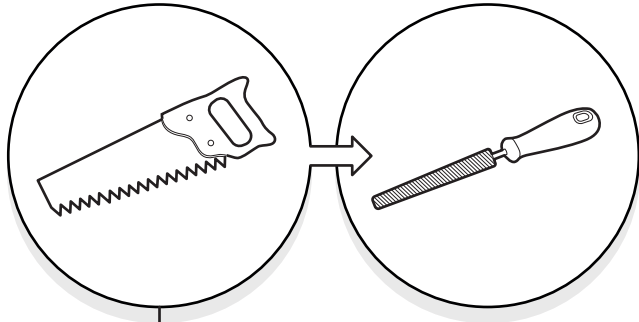


Rust protection  
Rostschutzmittel  
Anti-rouille  
Anti roest

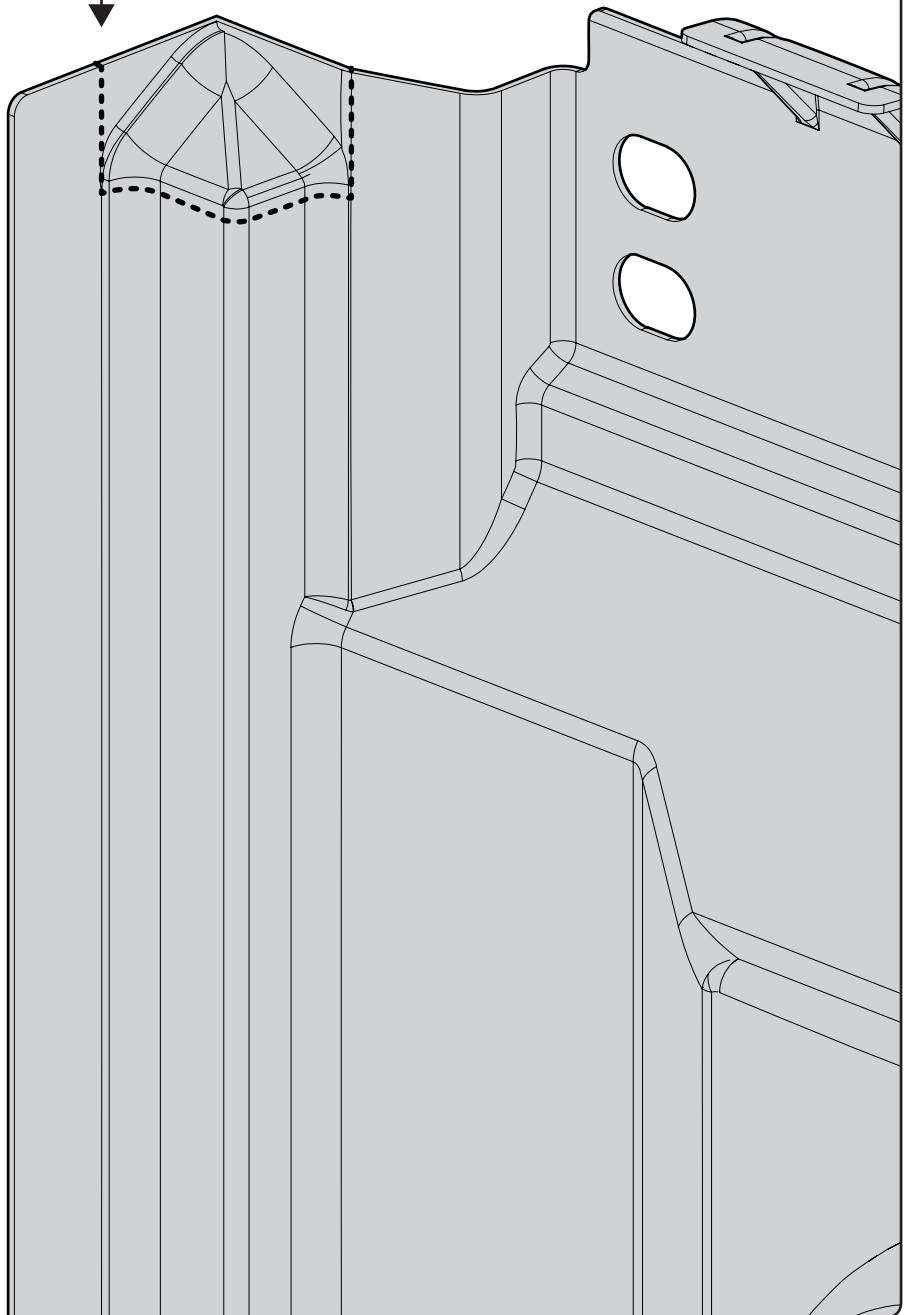
1

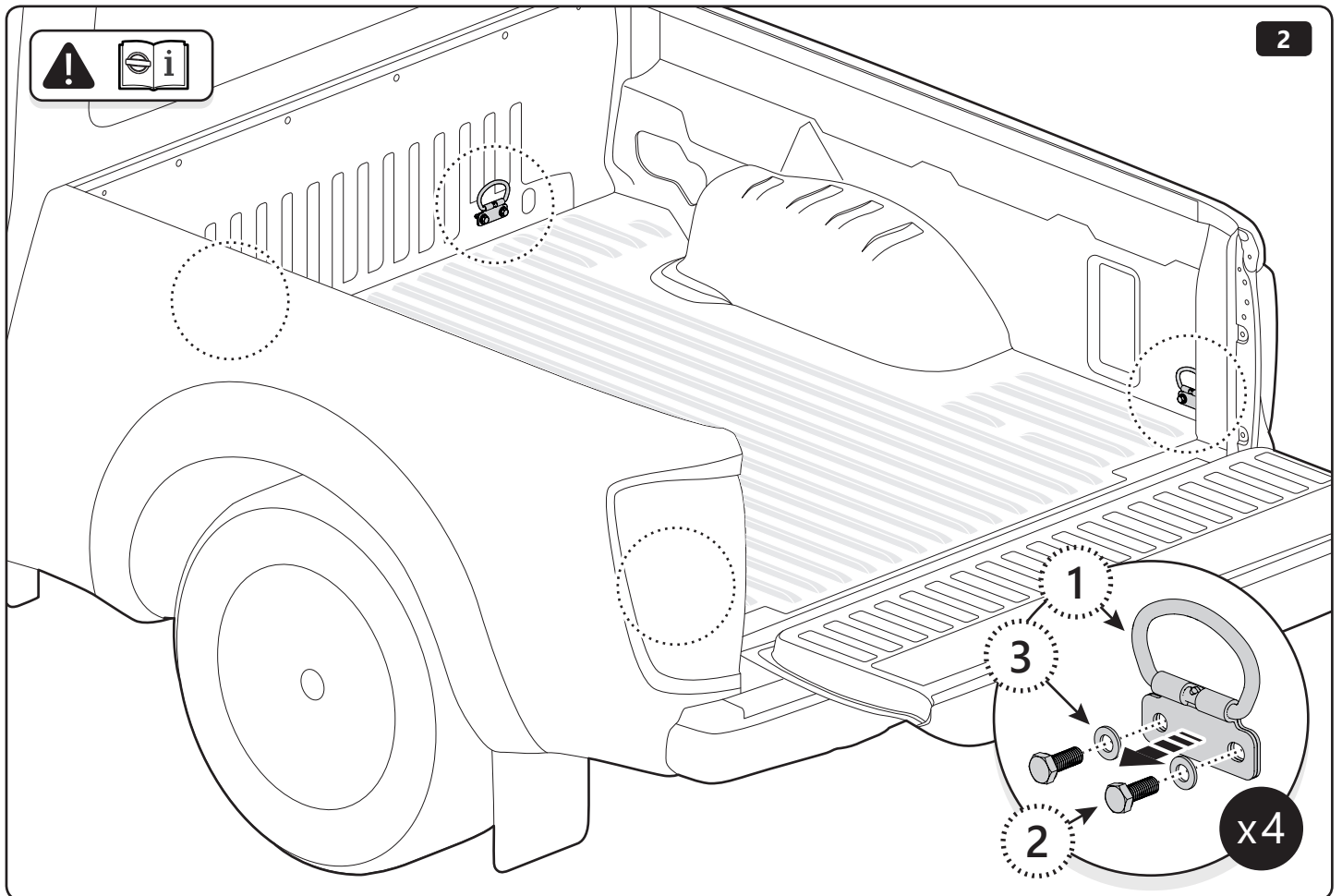
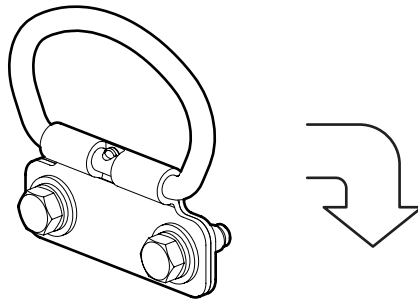
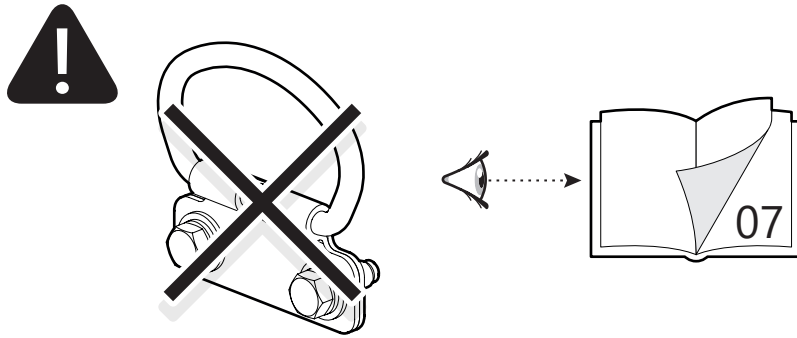
# Applying rust protection

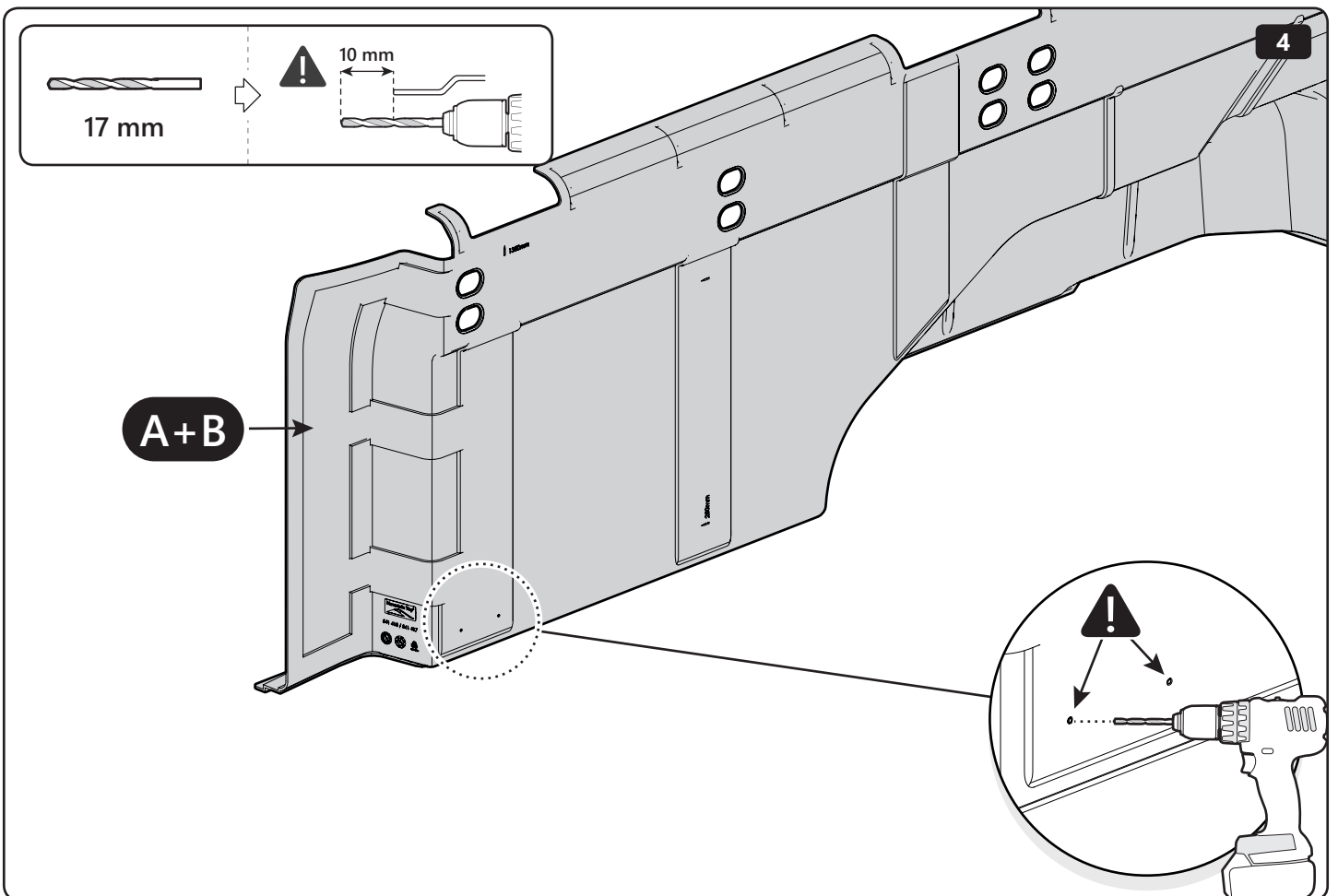
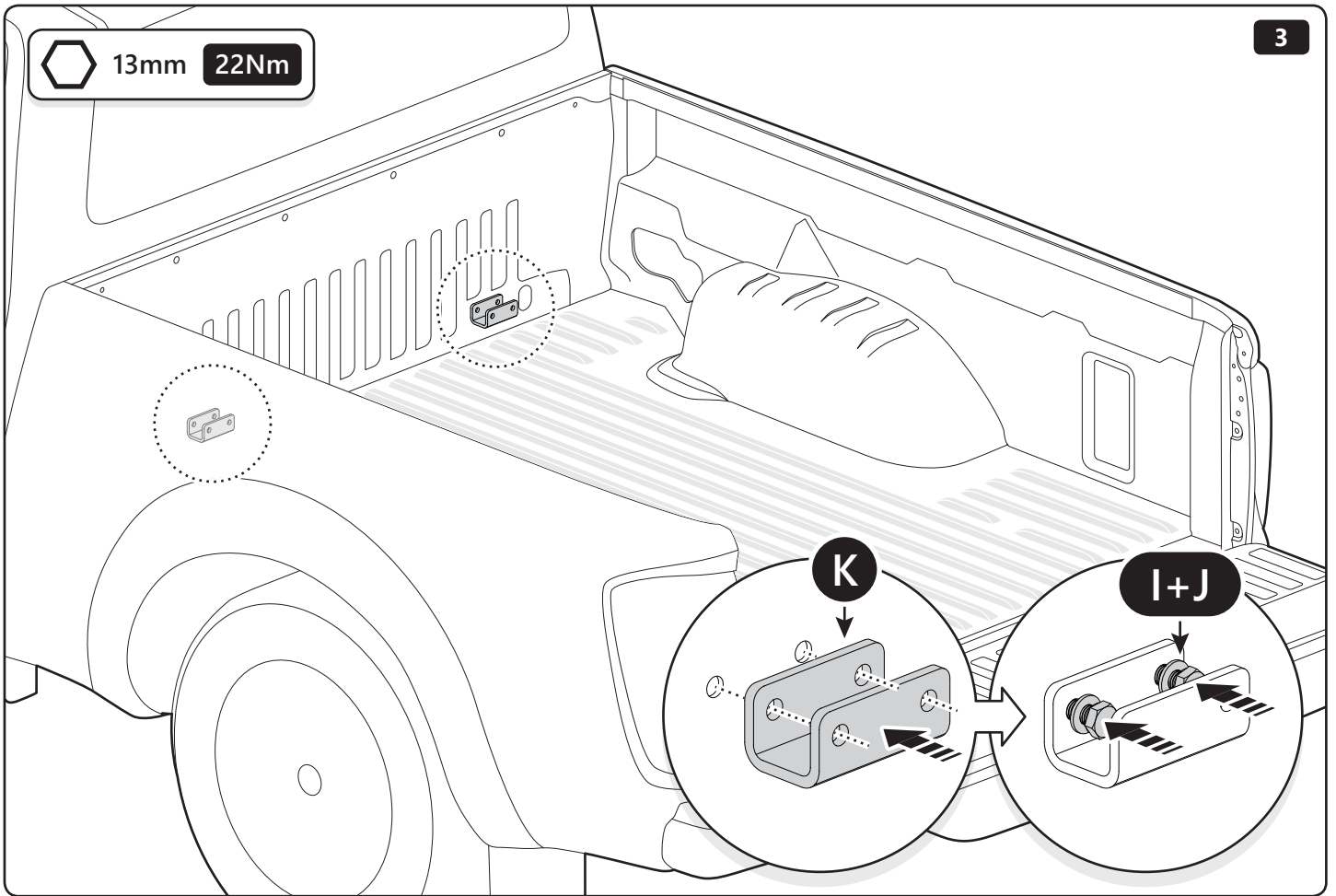


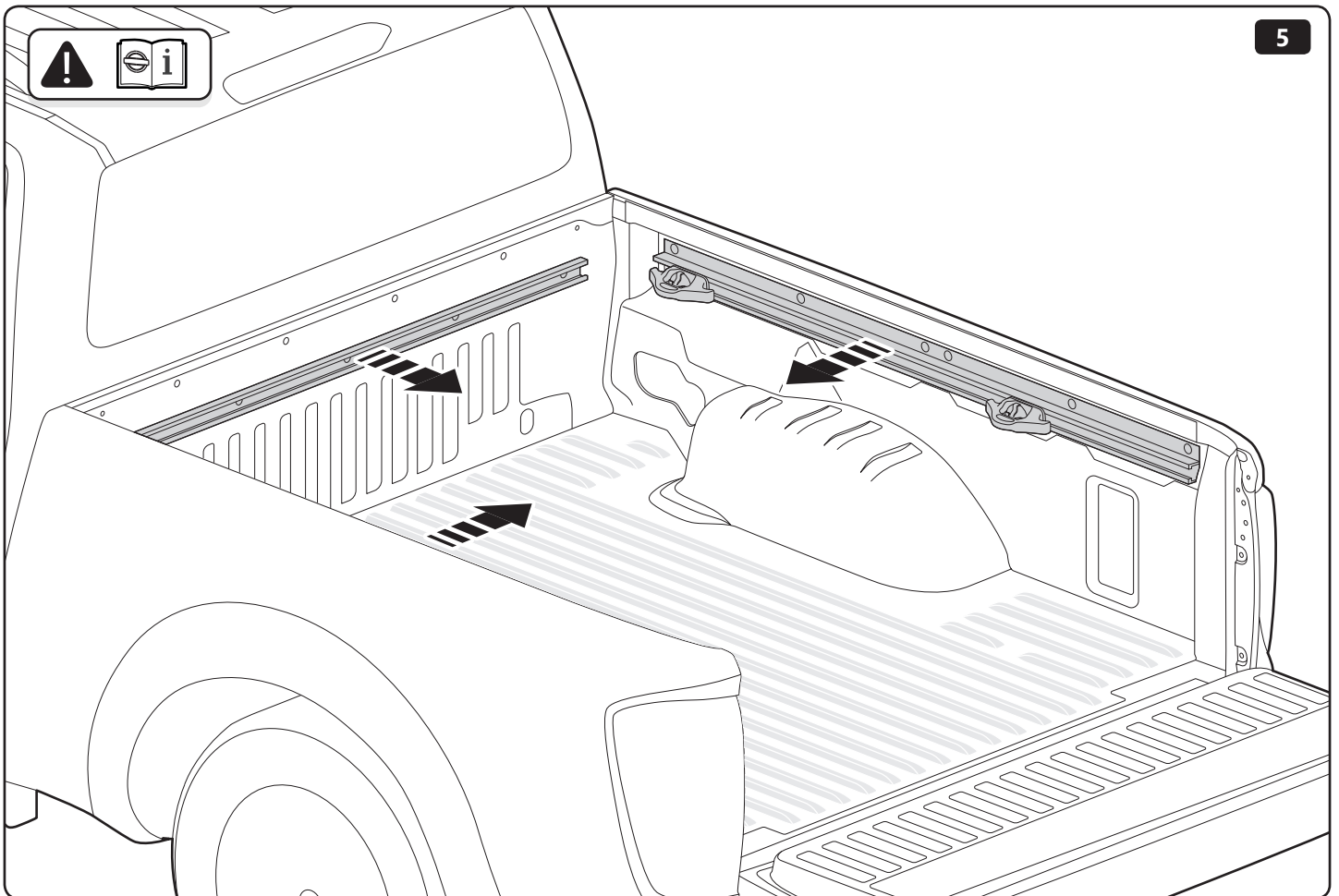
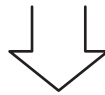
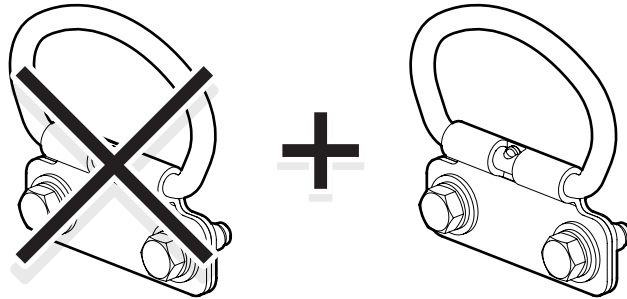


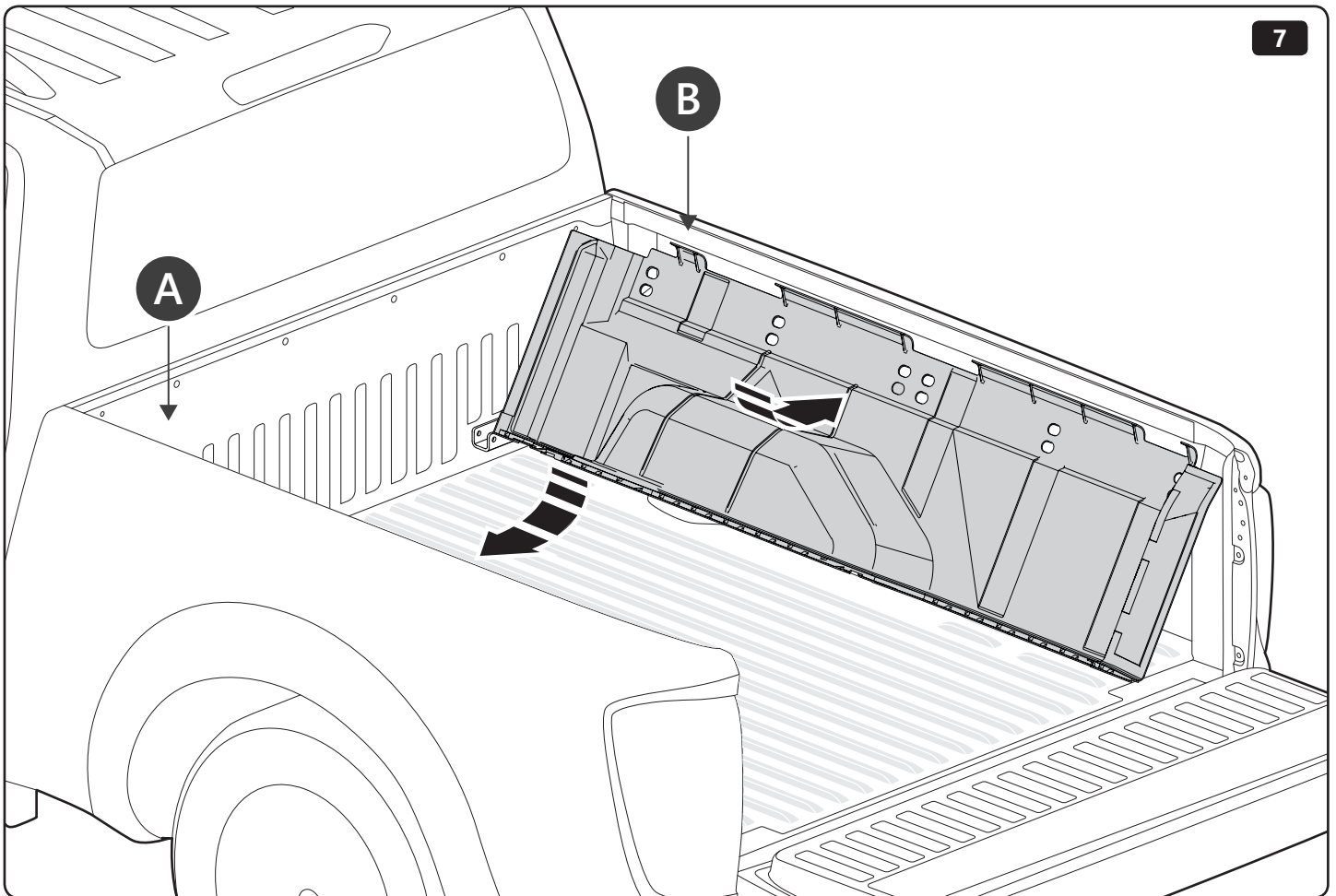
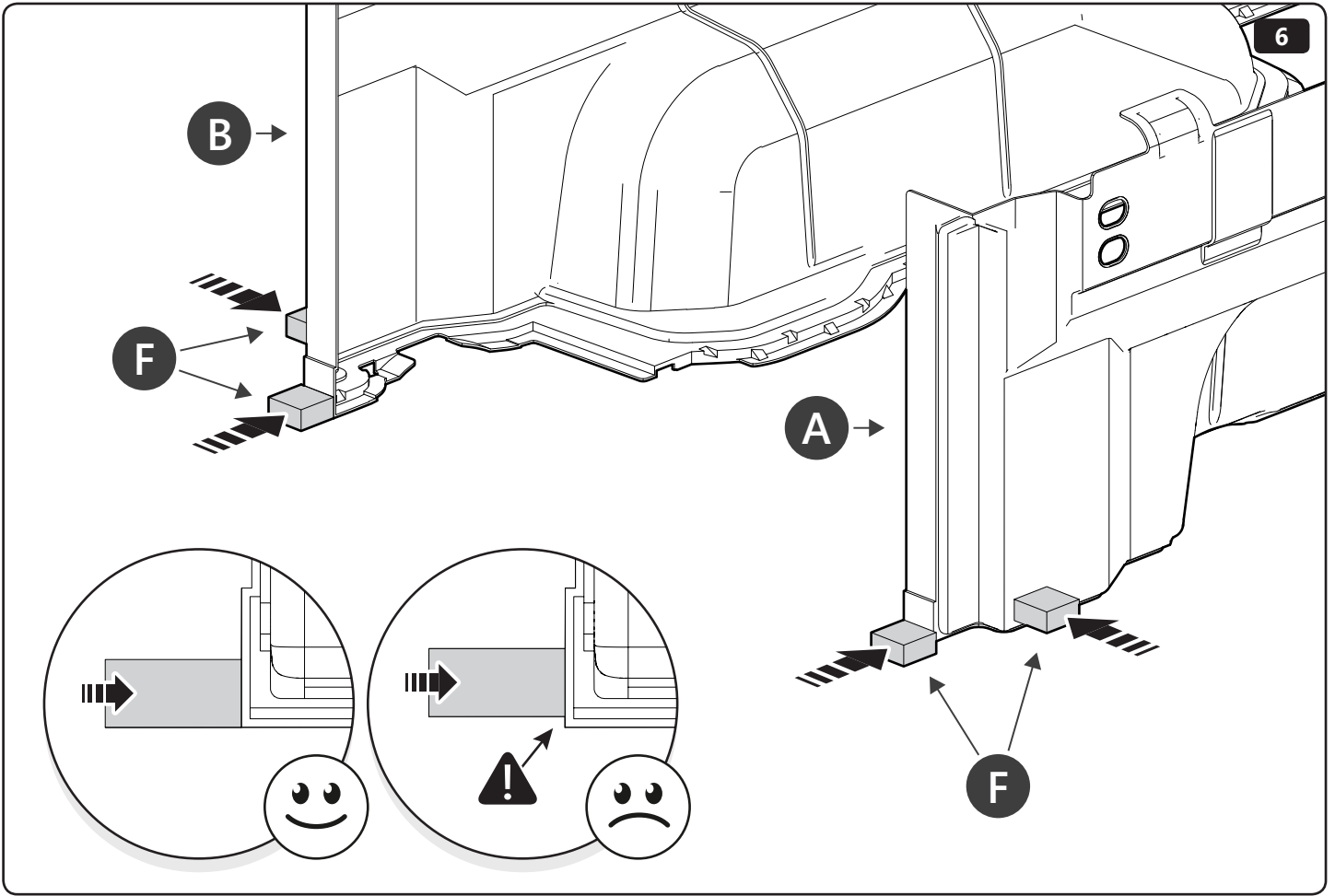
A+B





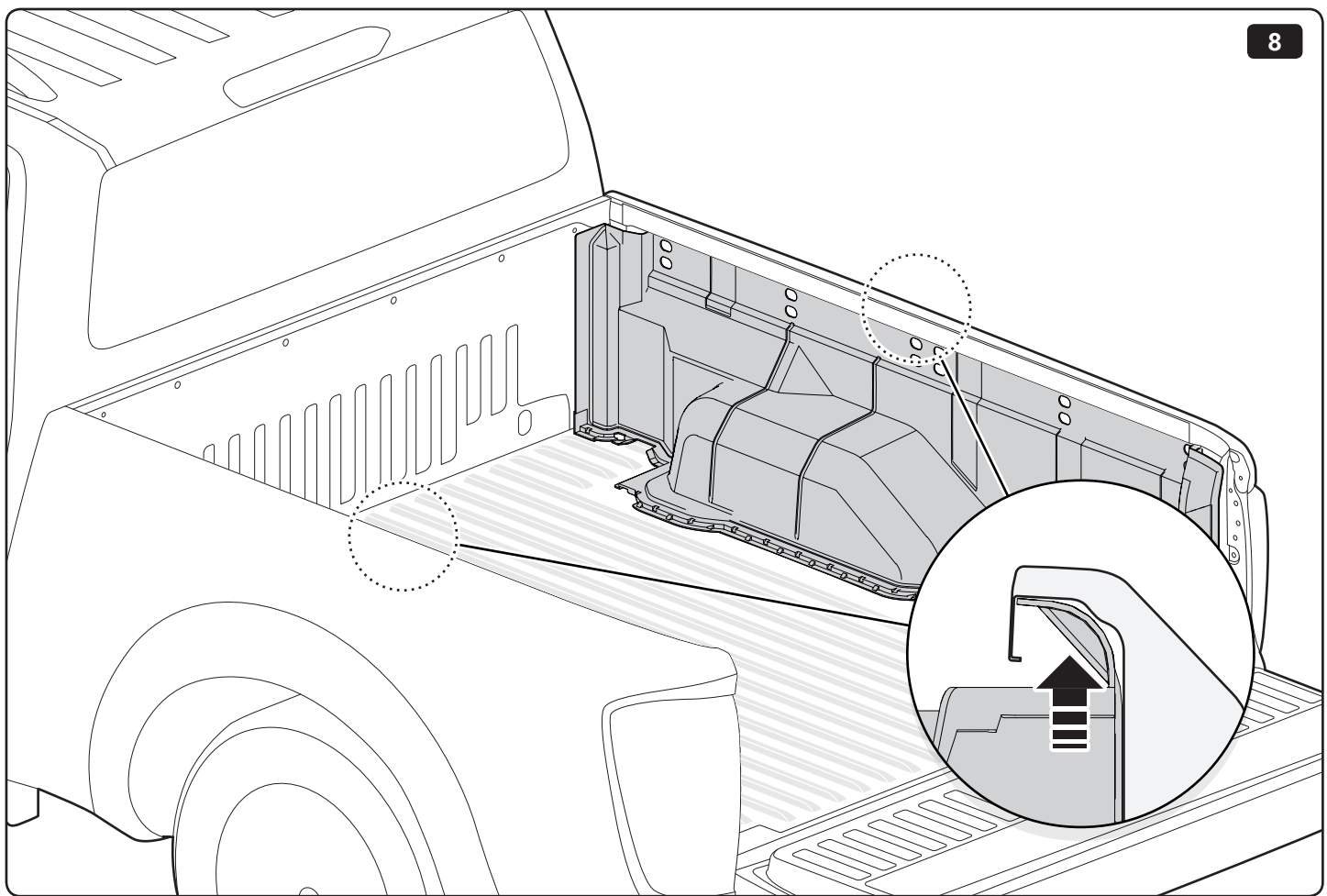




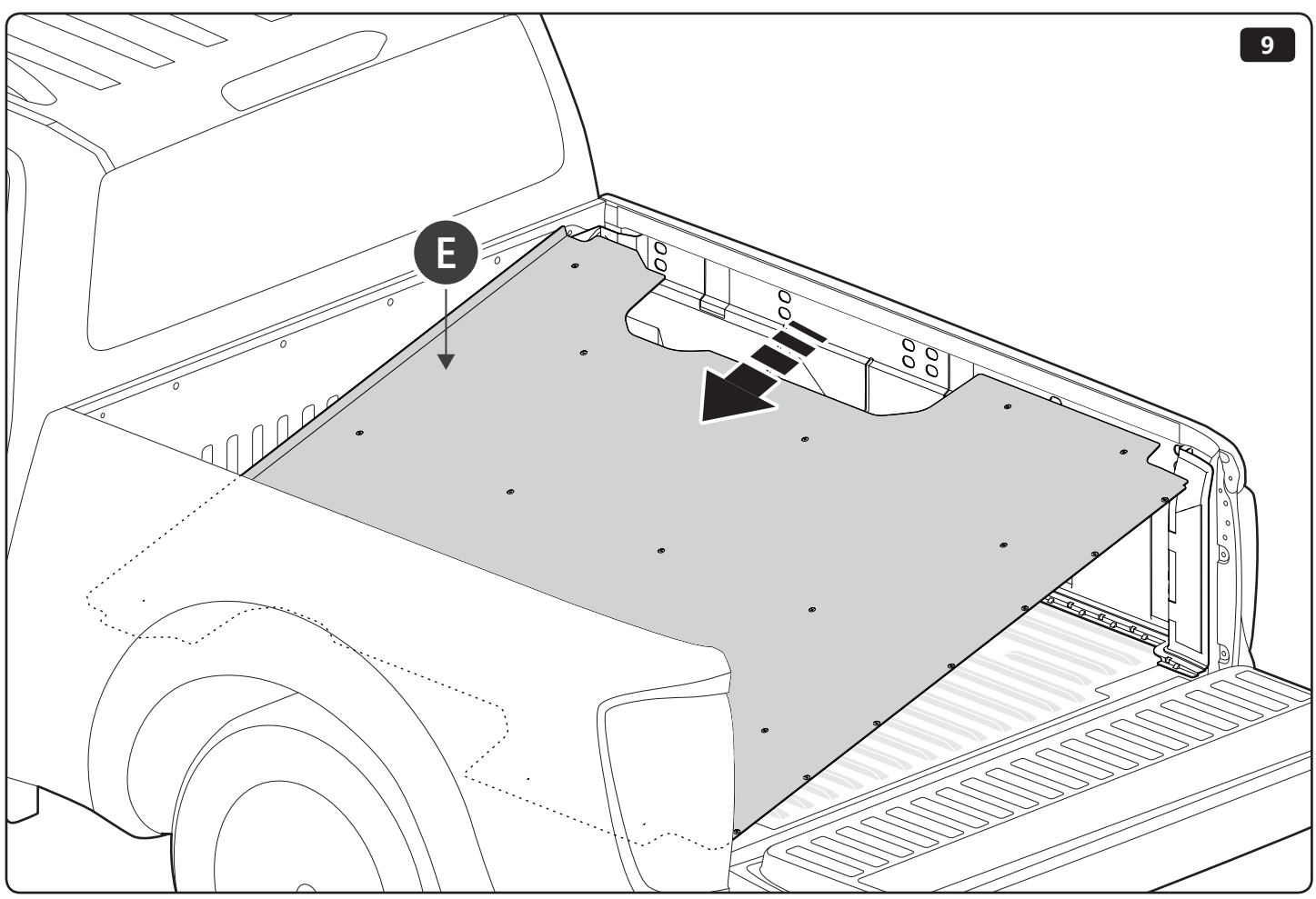


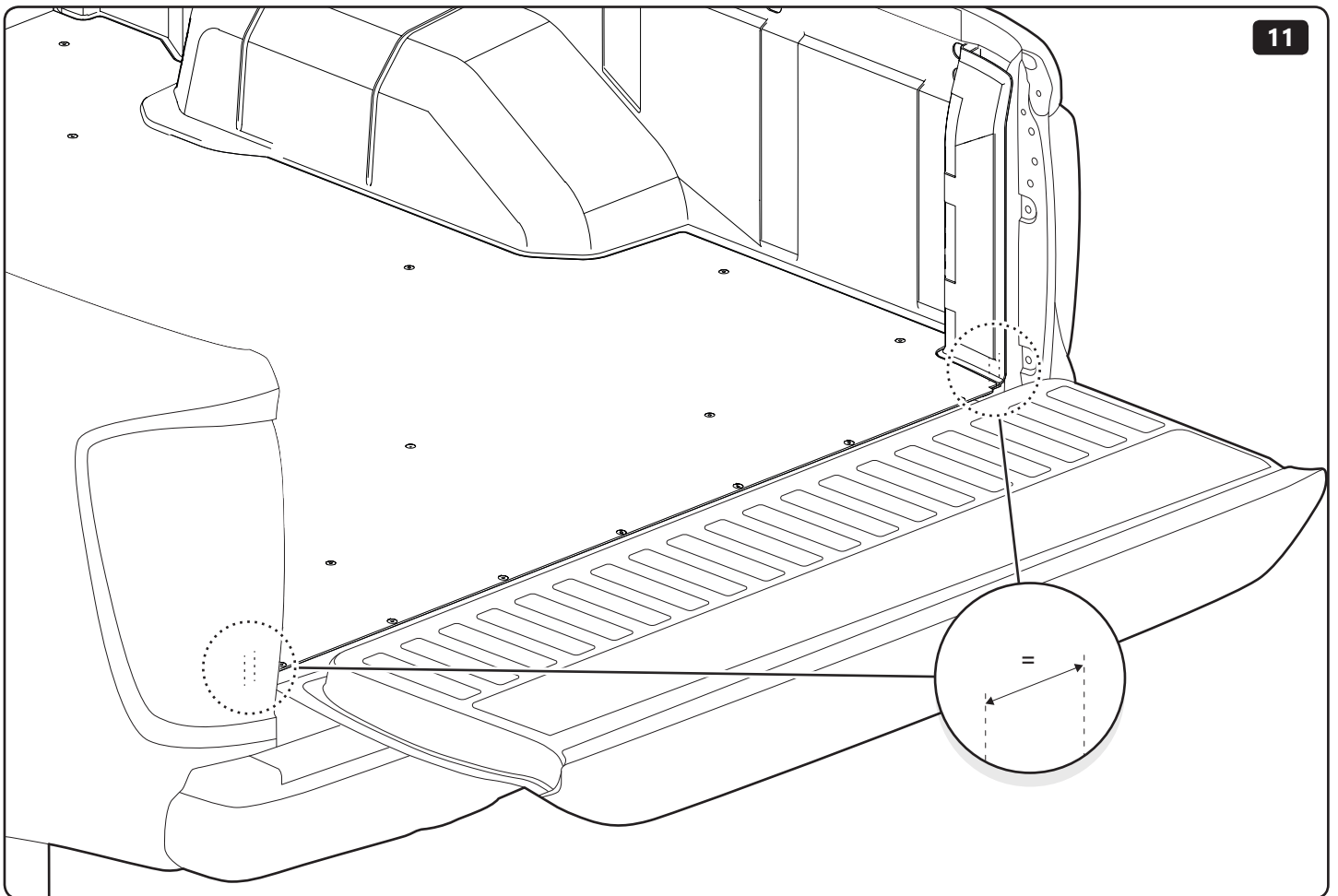
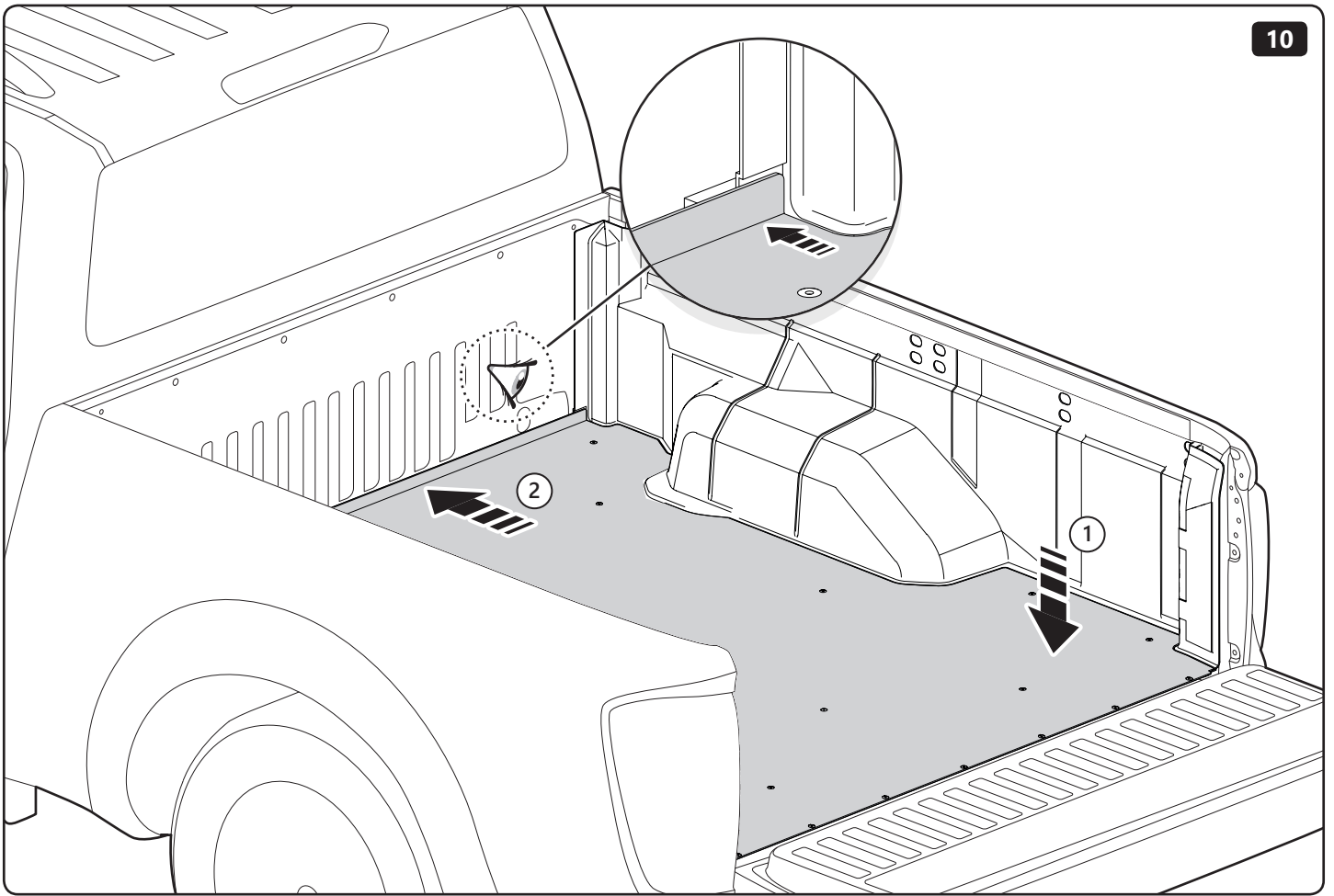


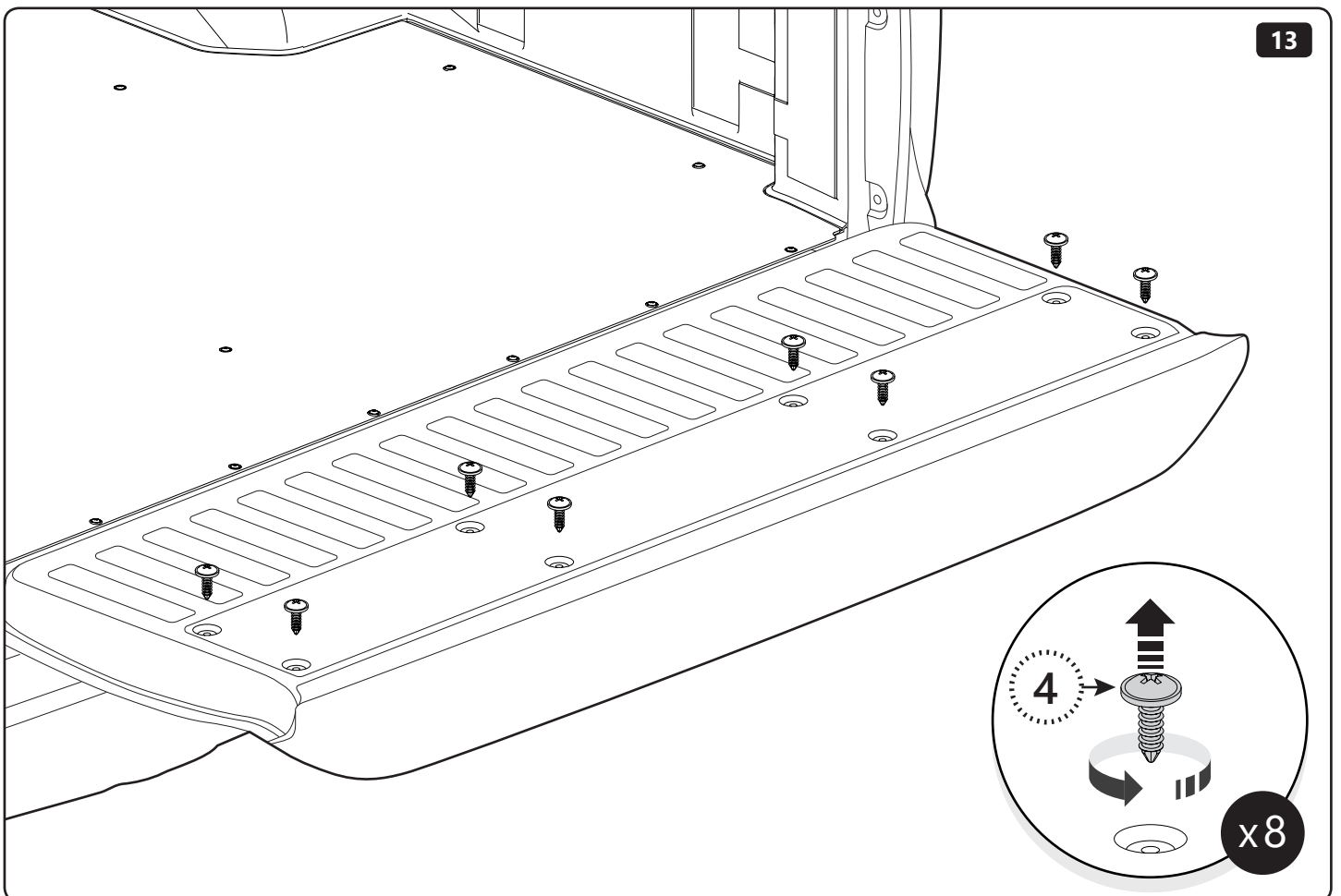
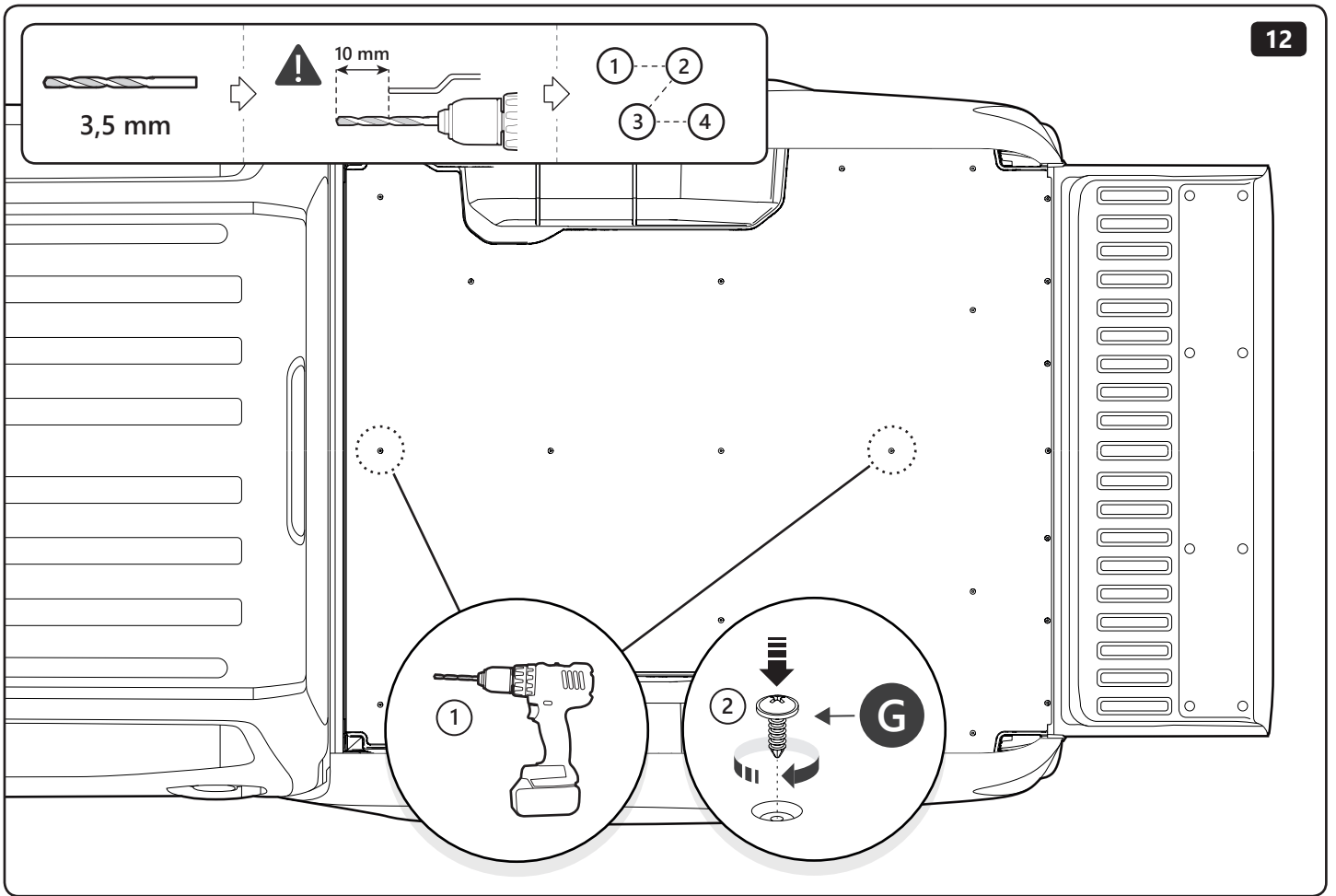
8

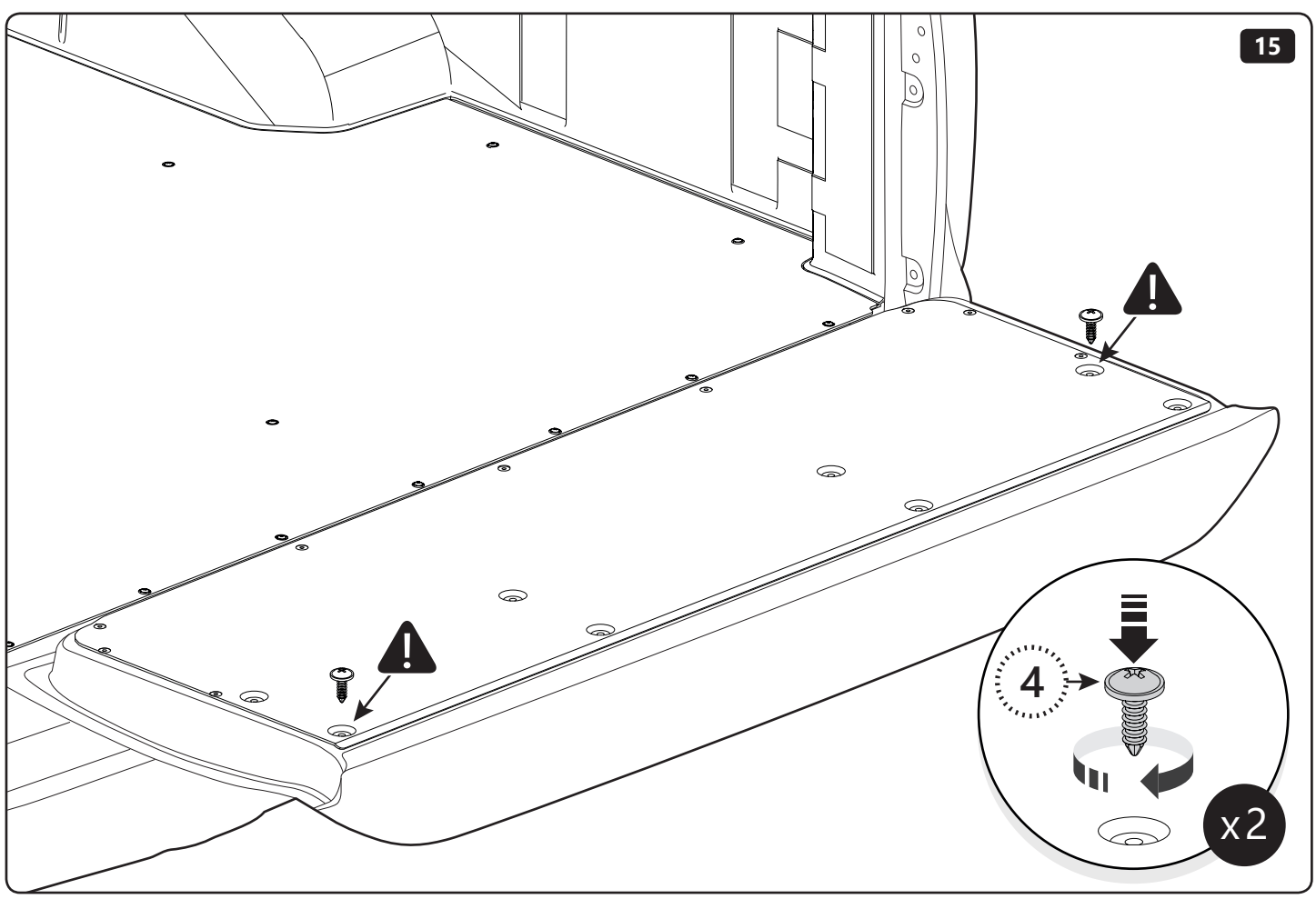
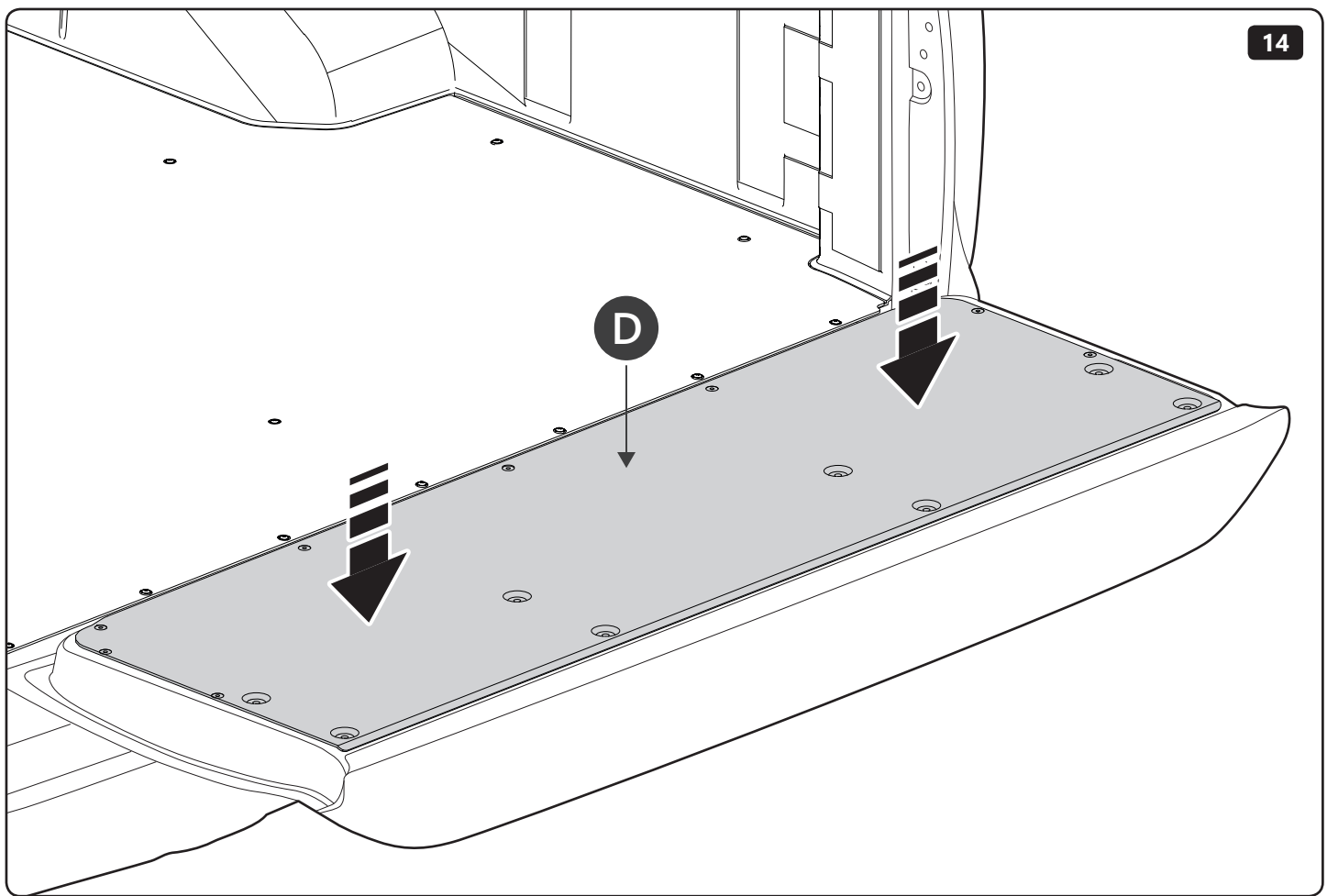


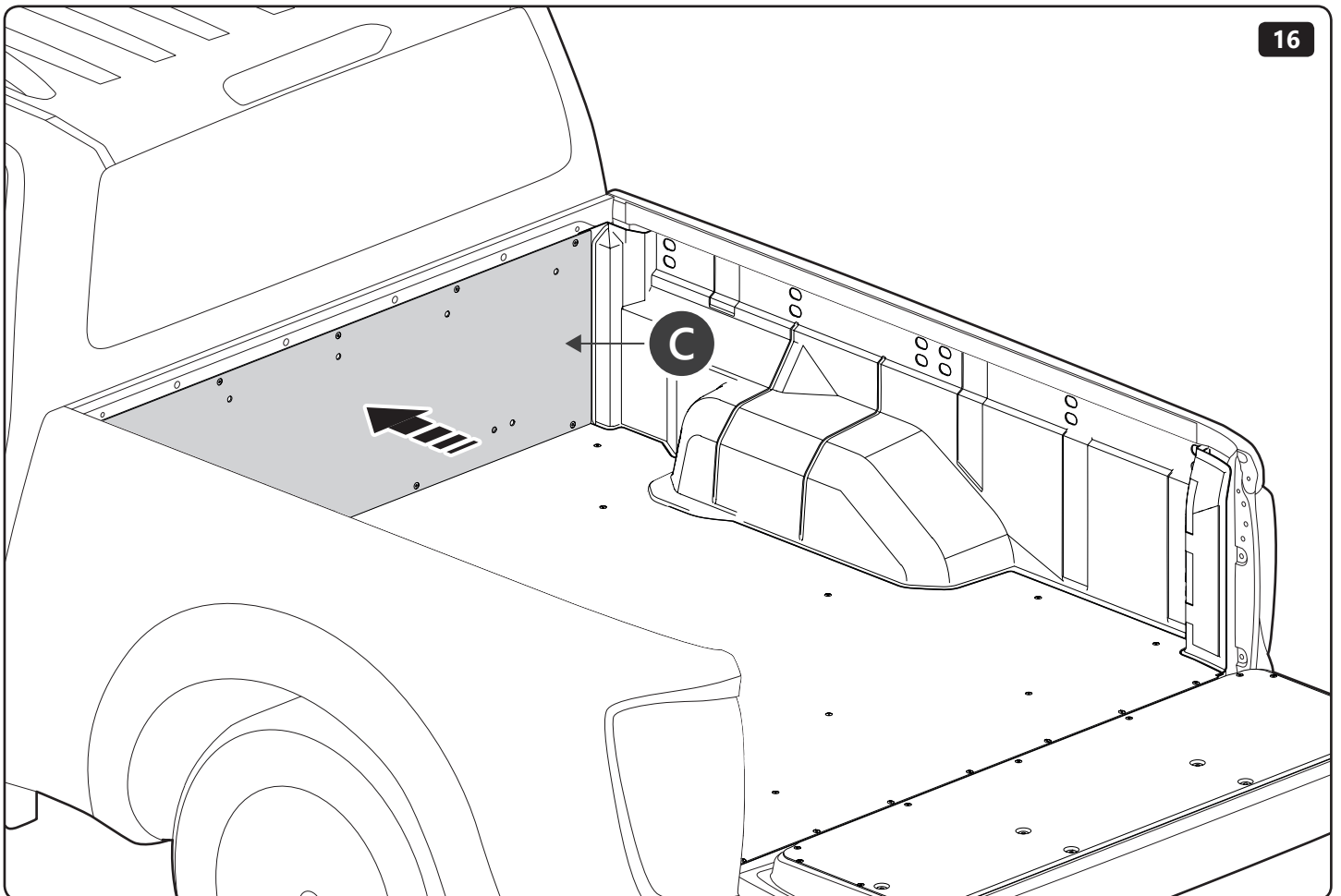
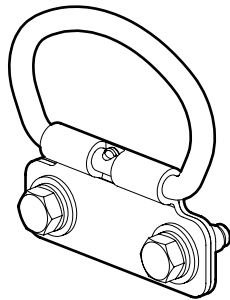
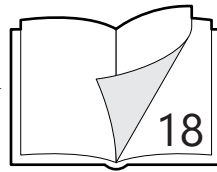
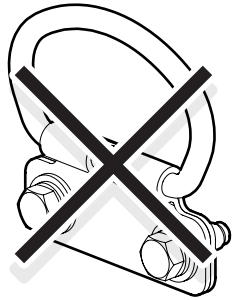
9

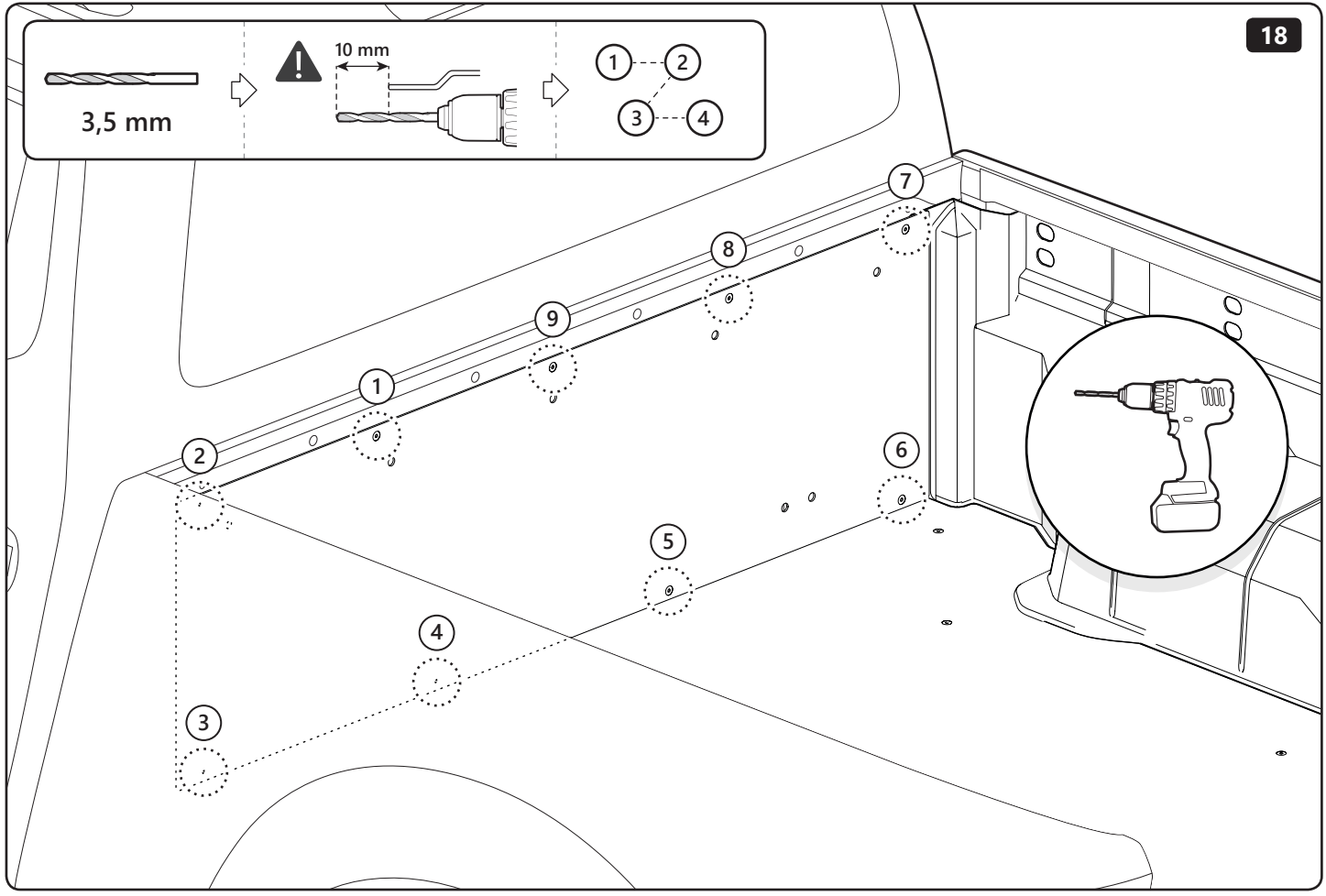
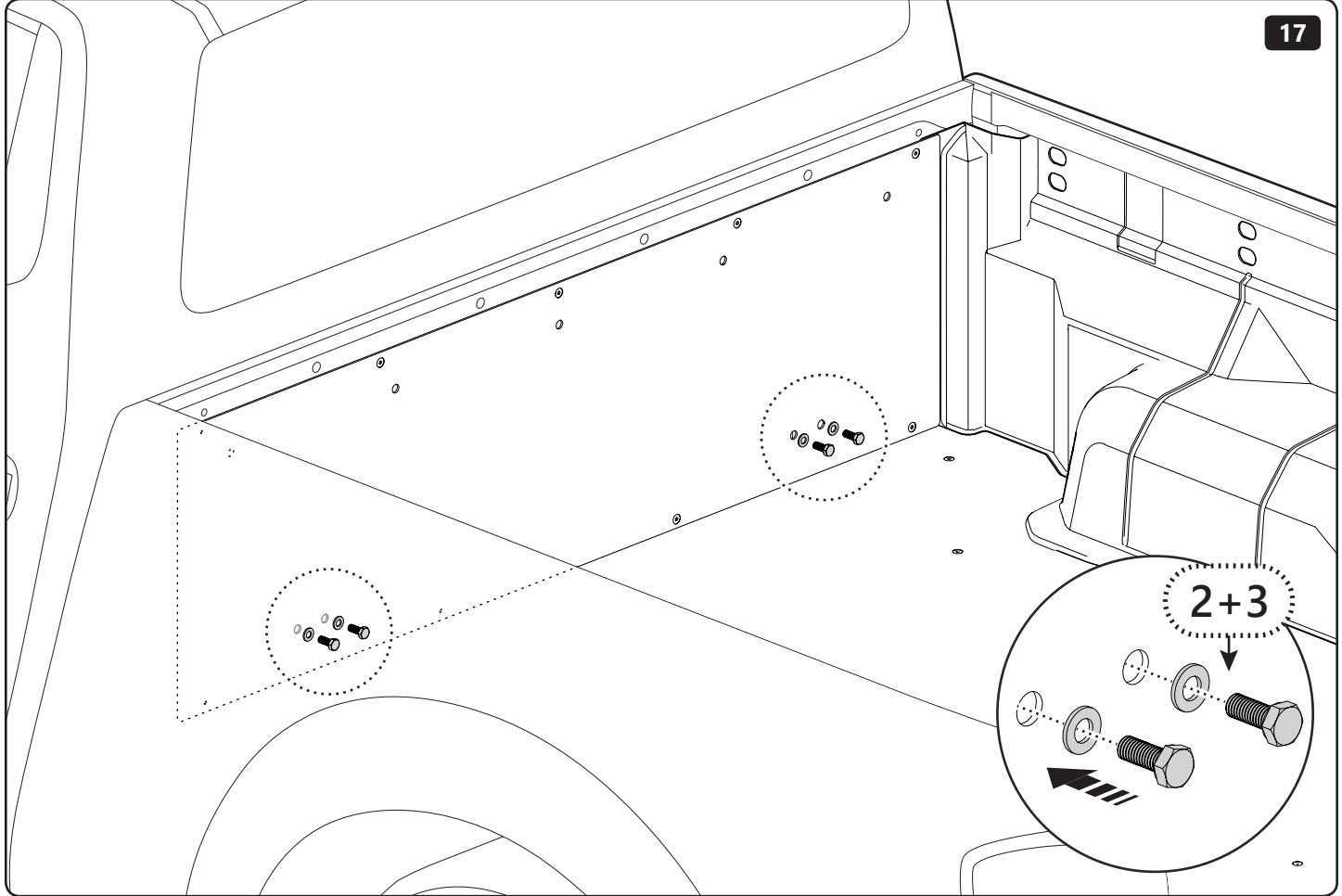


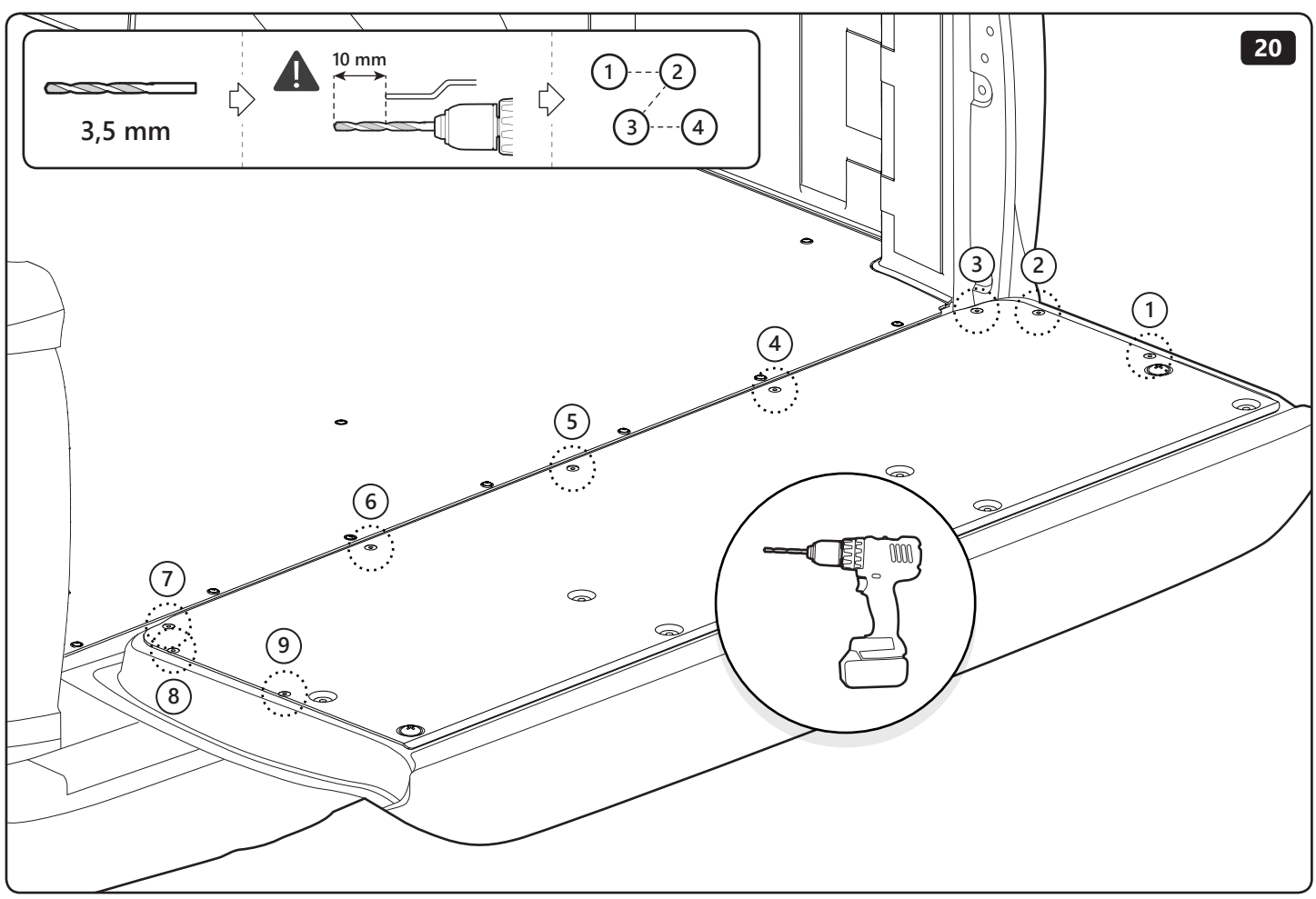
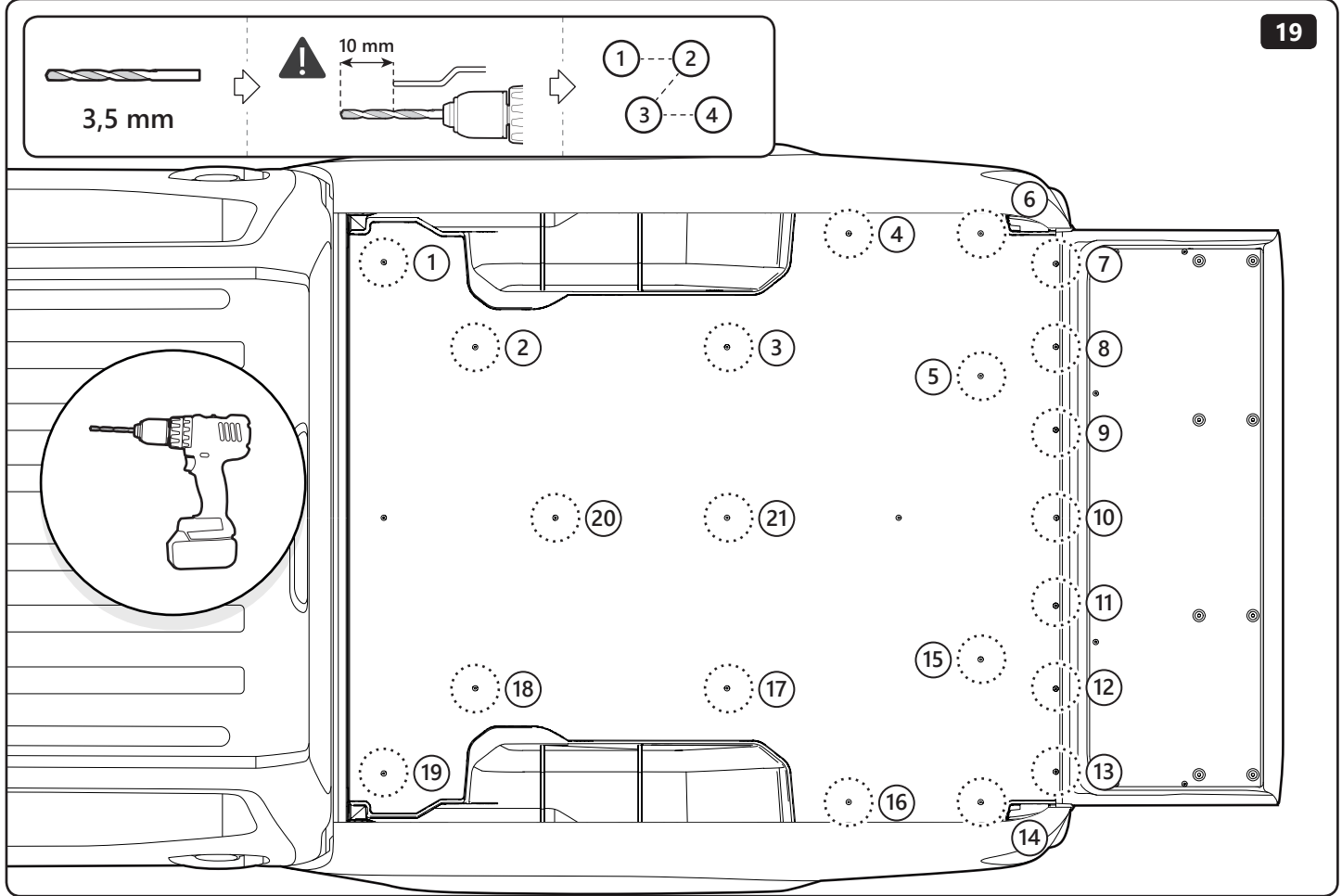


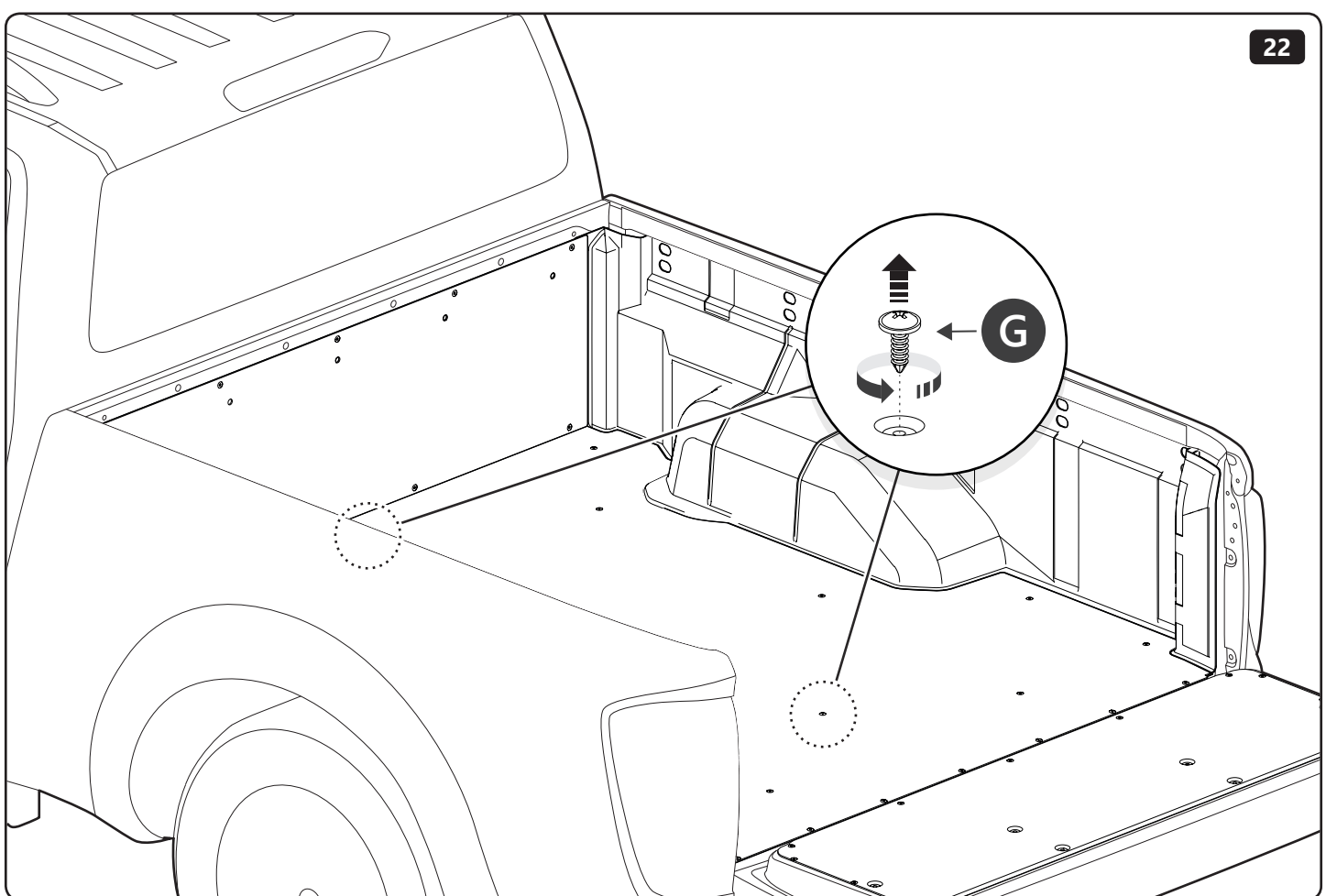
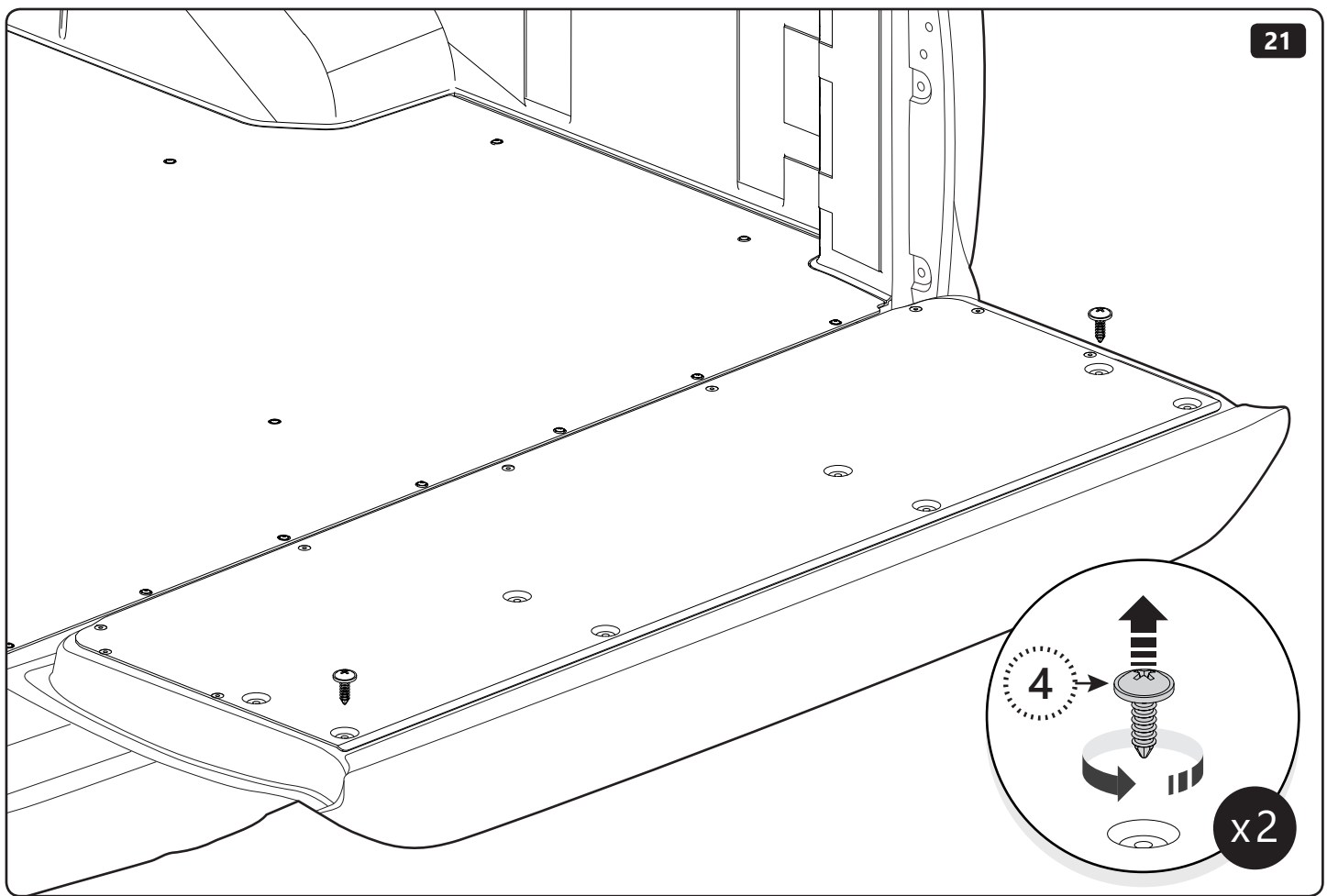




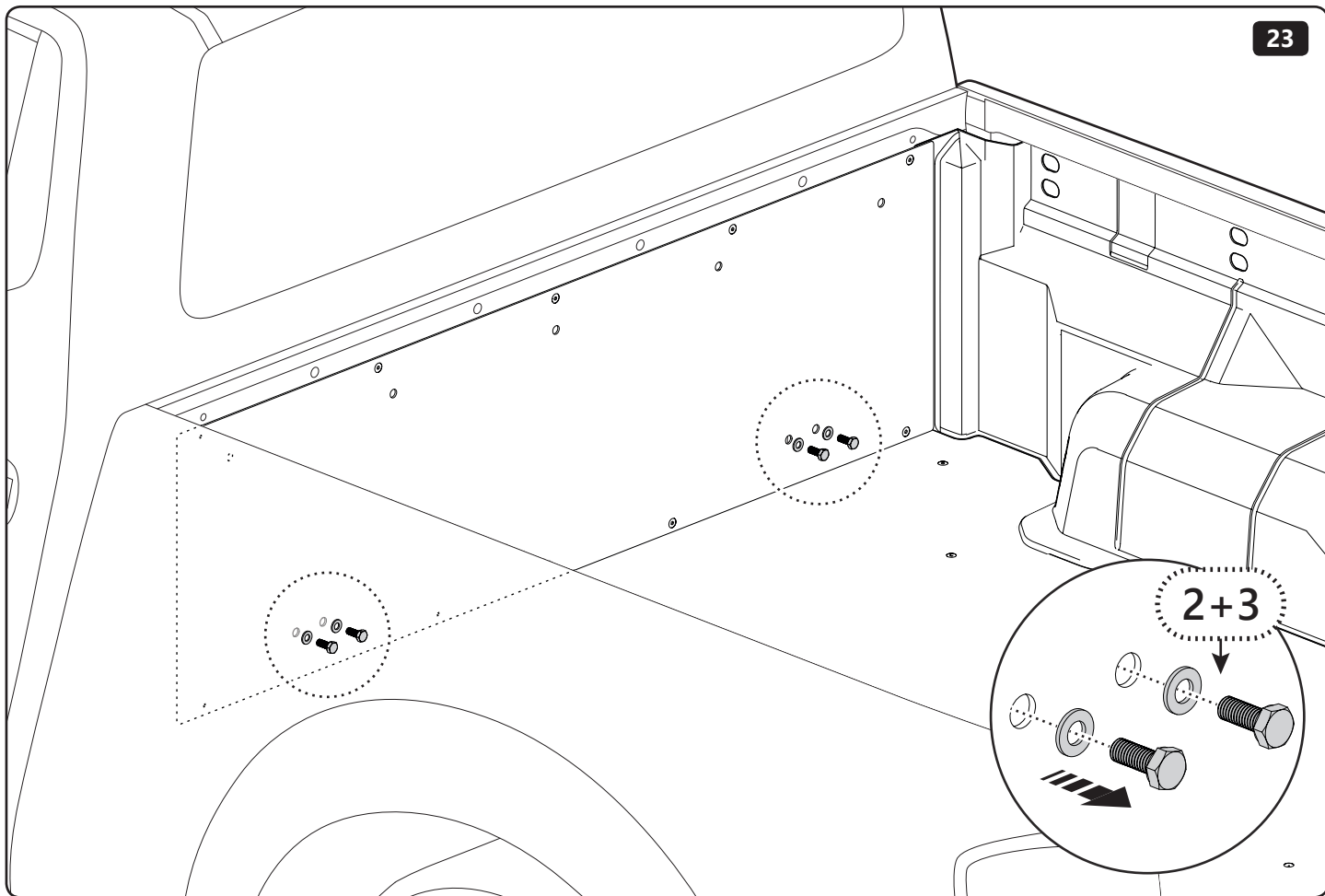


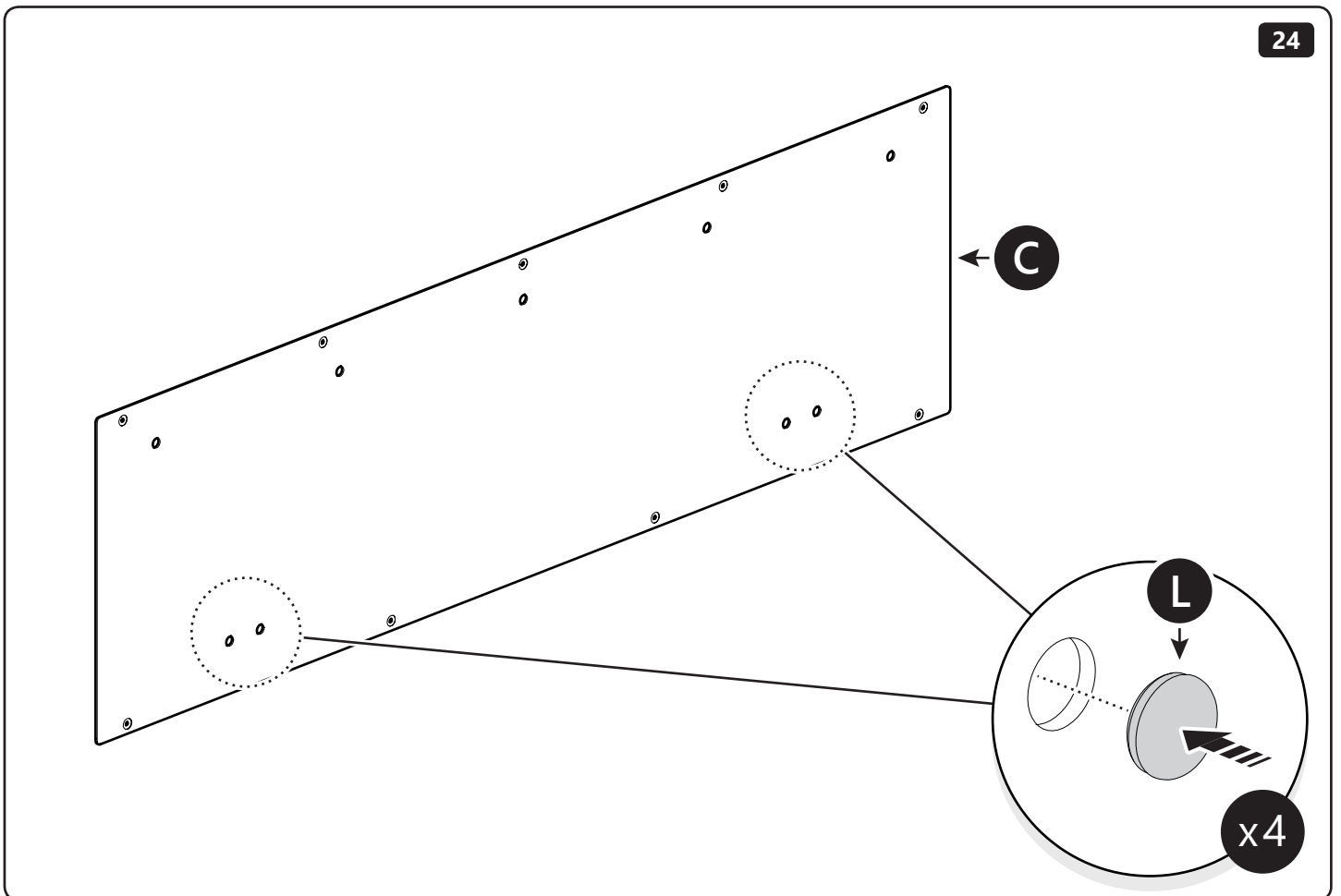
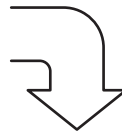
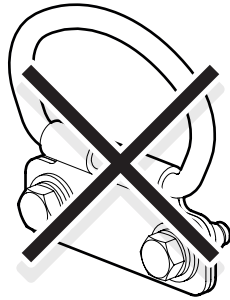
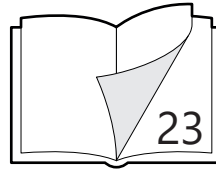
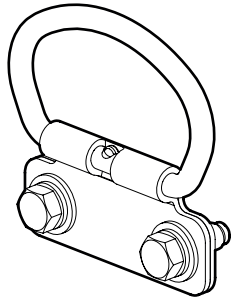


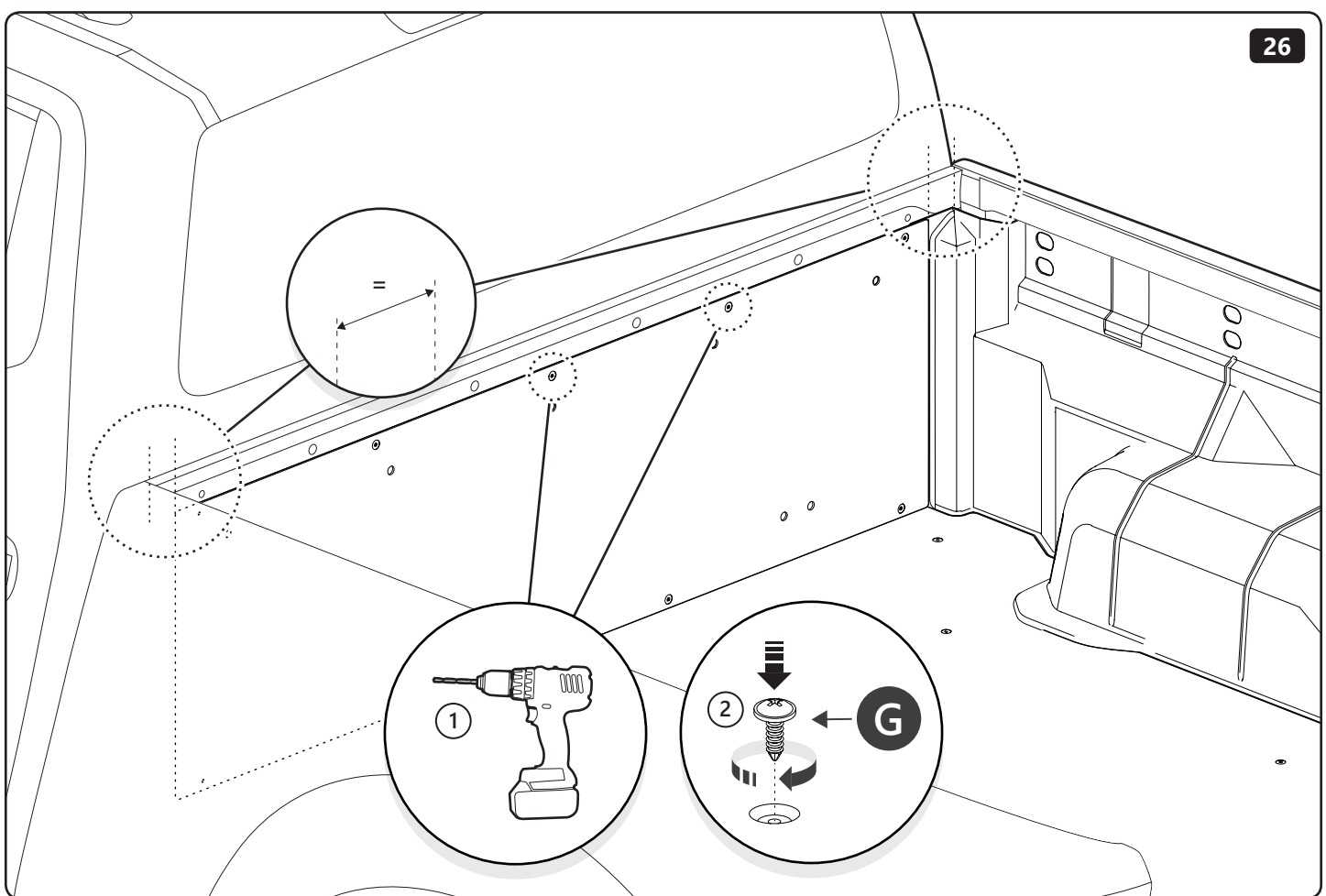
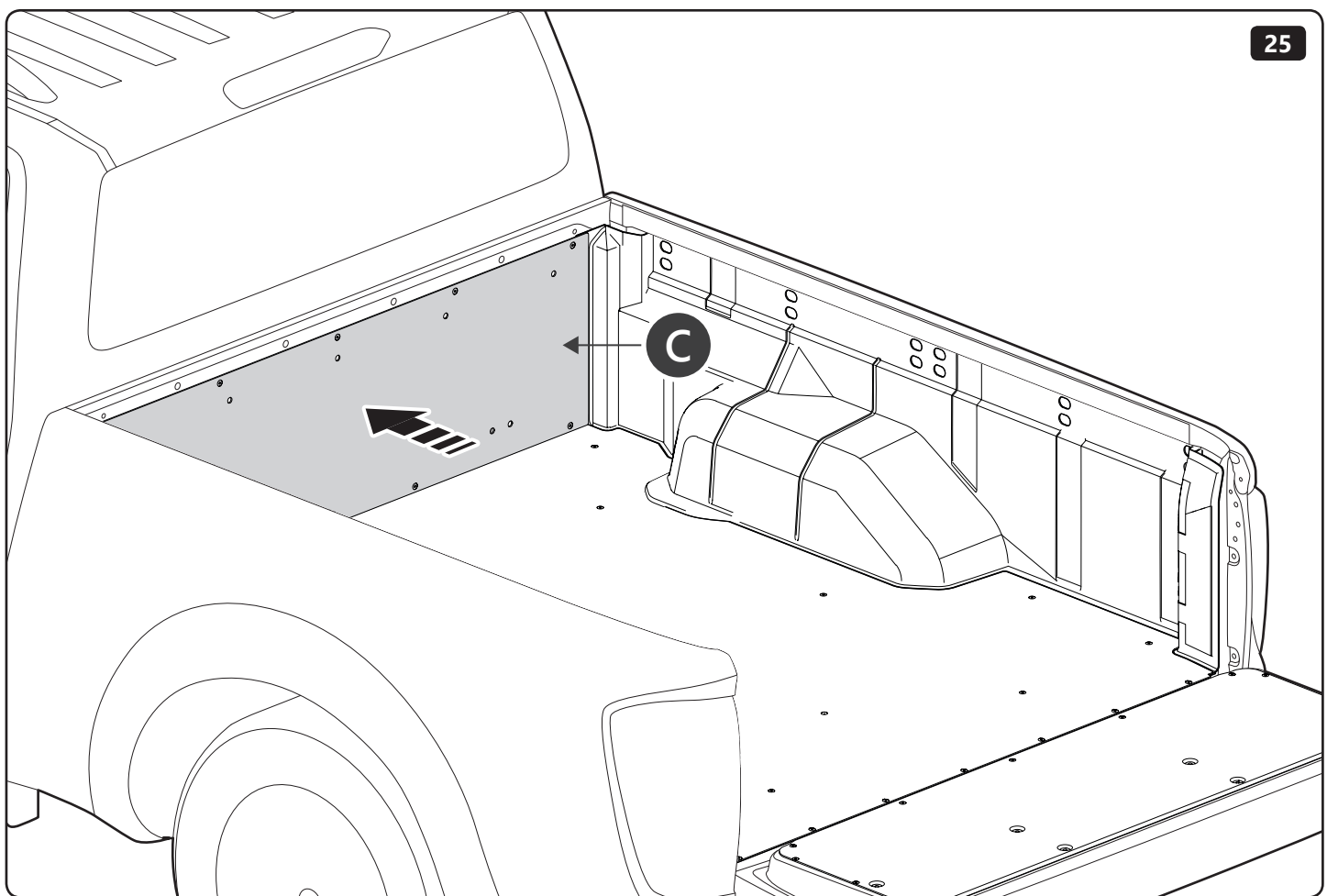


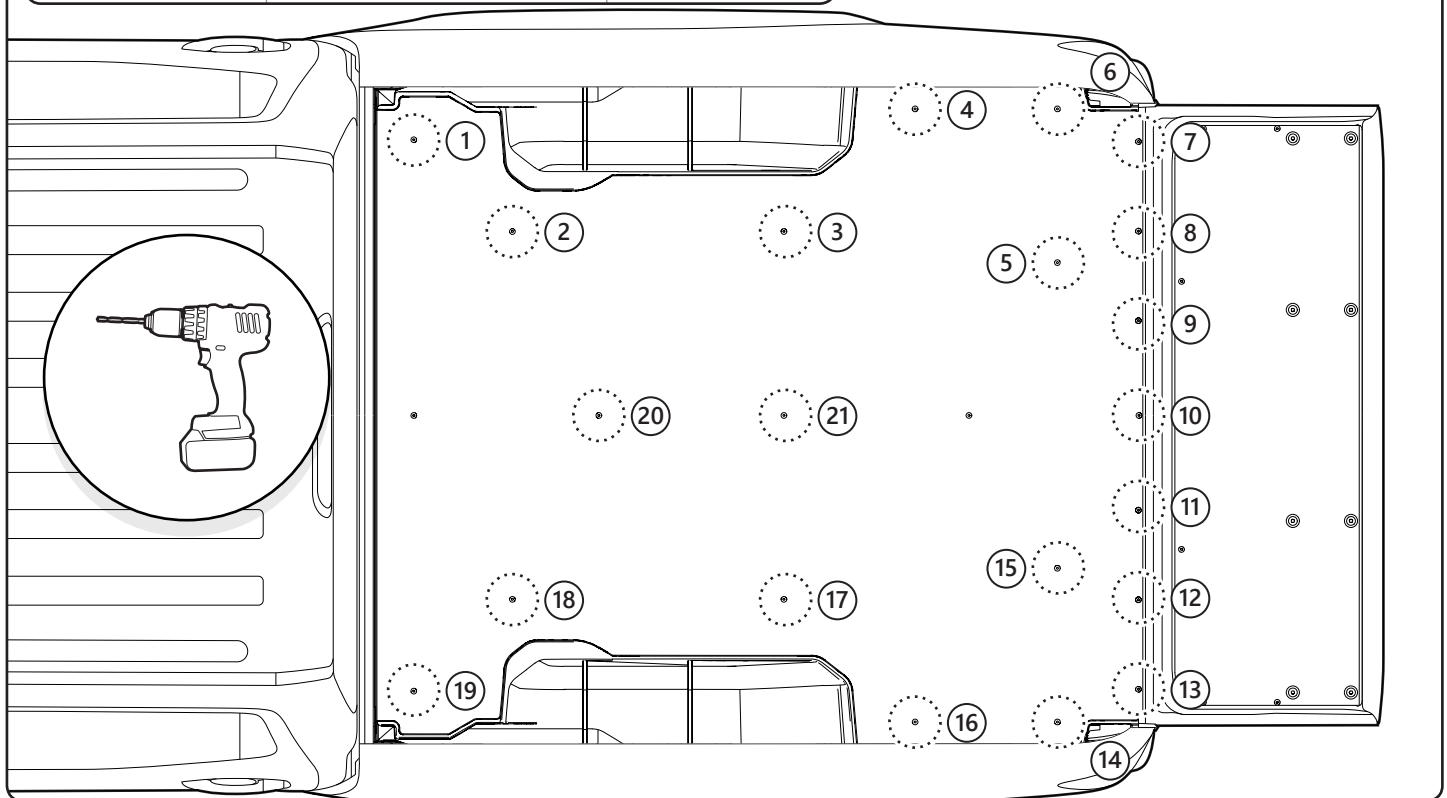
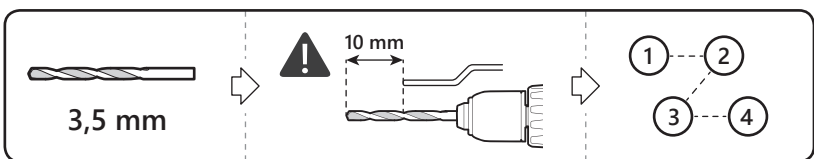
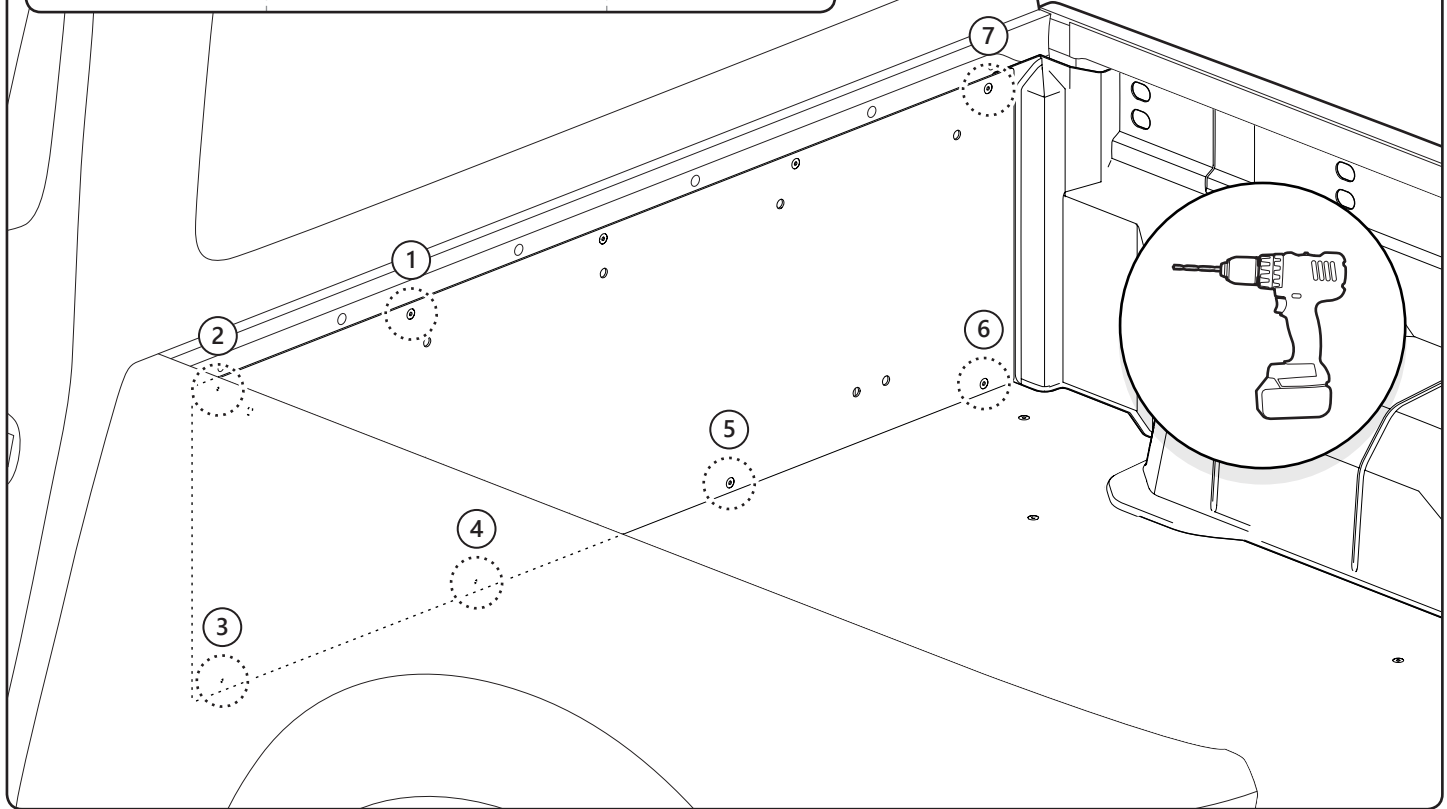
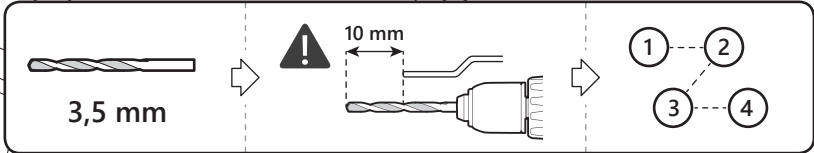


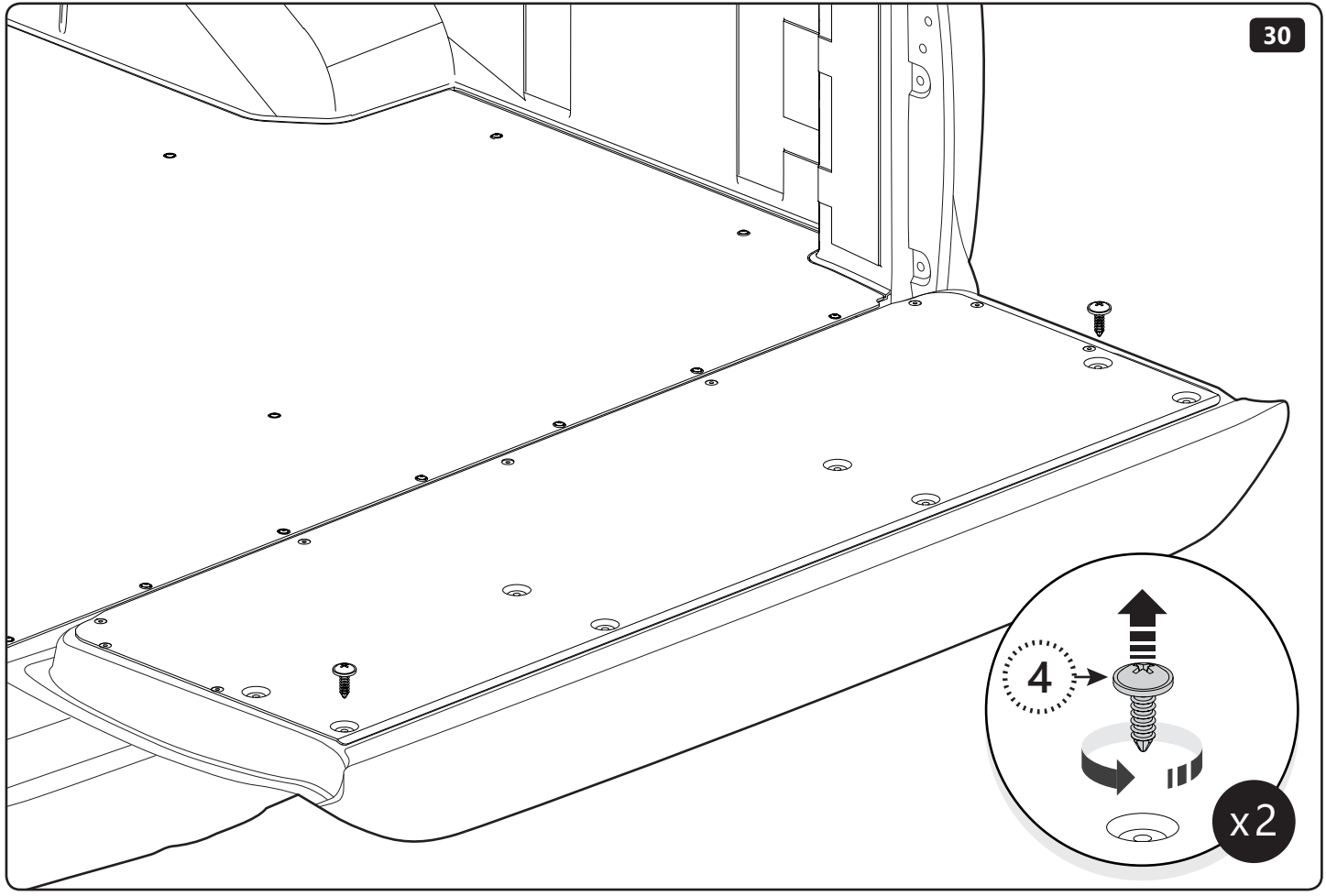
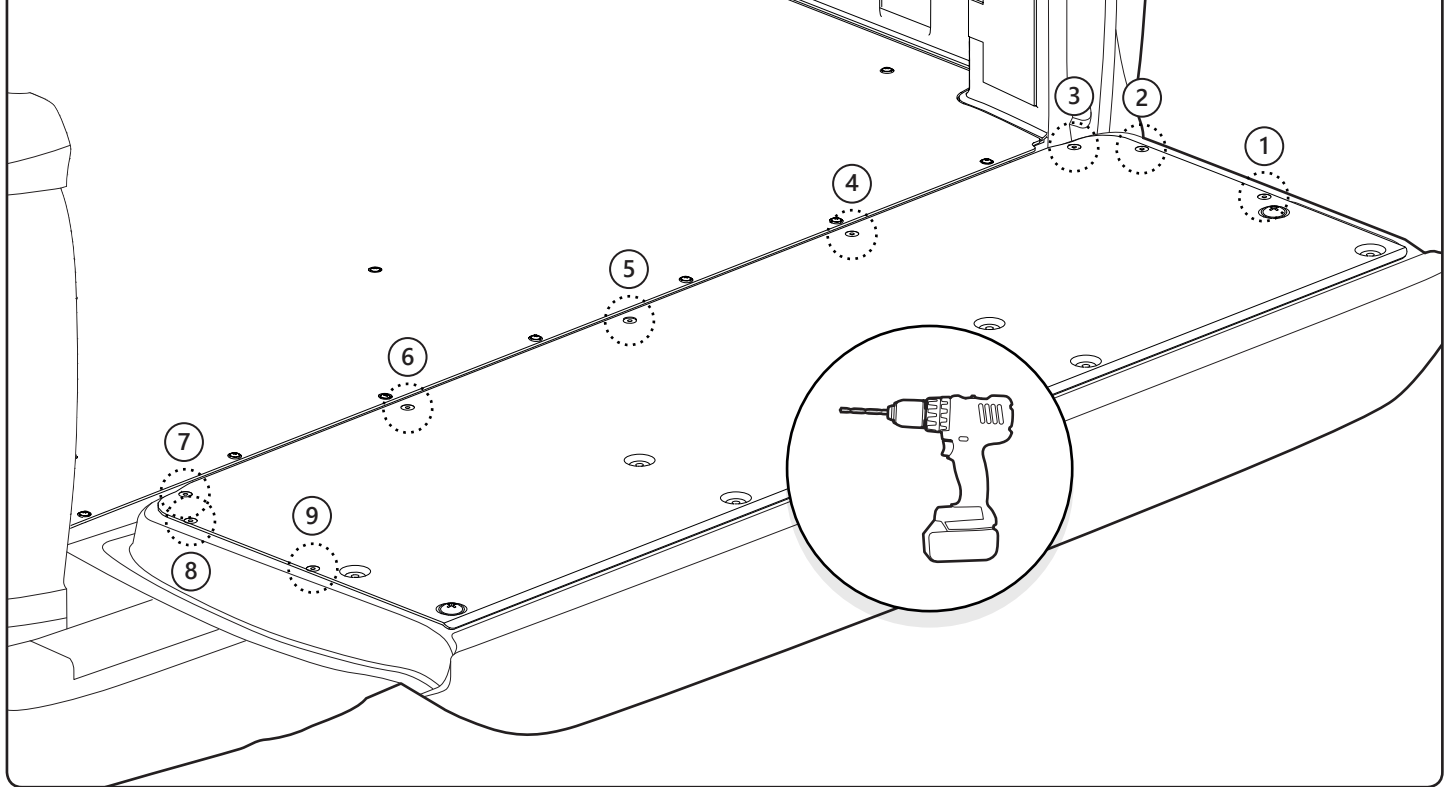
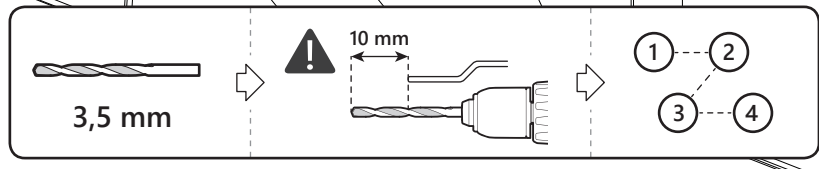


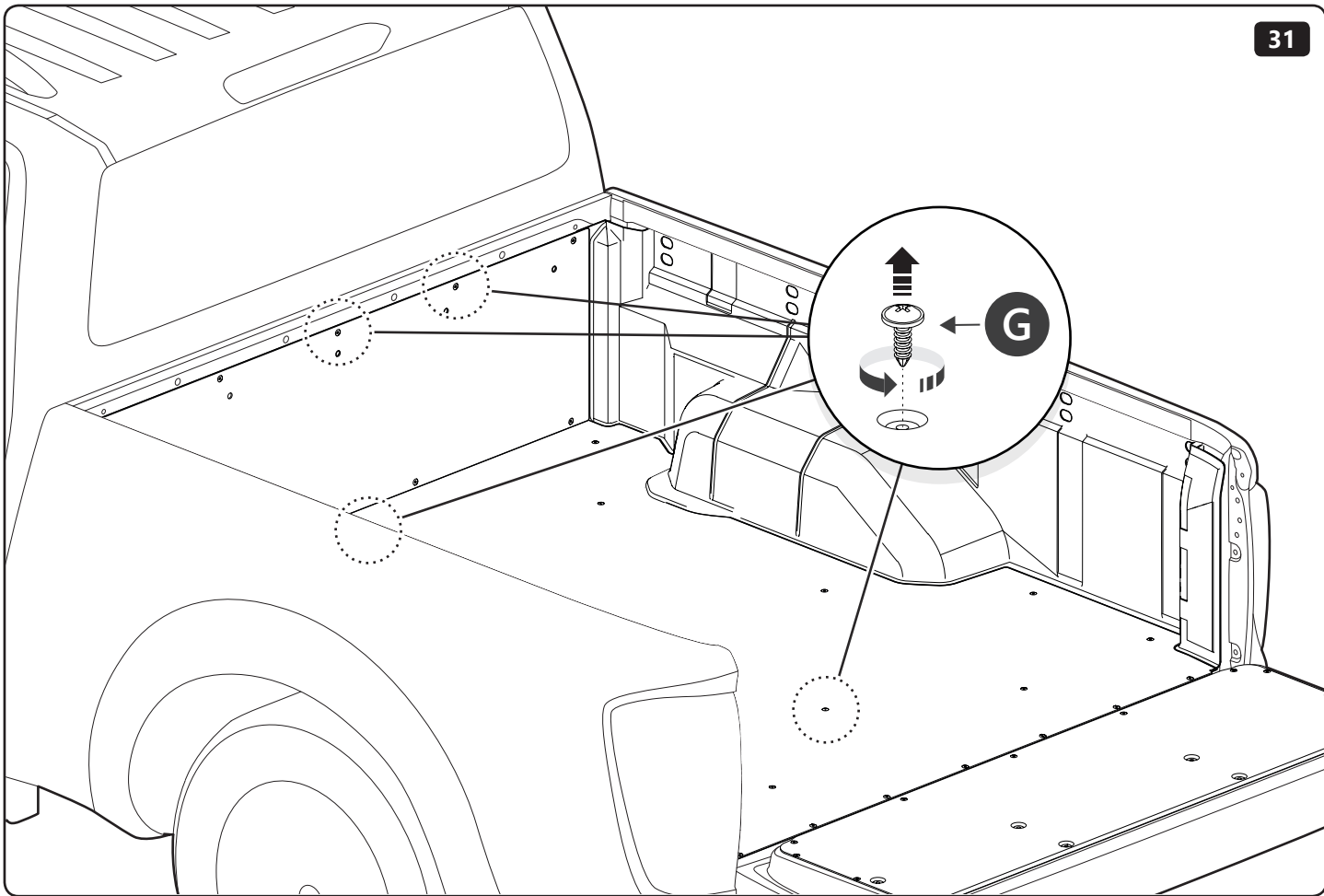


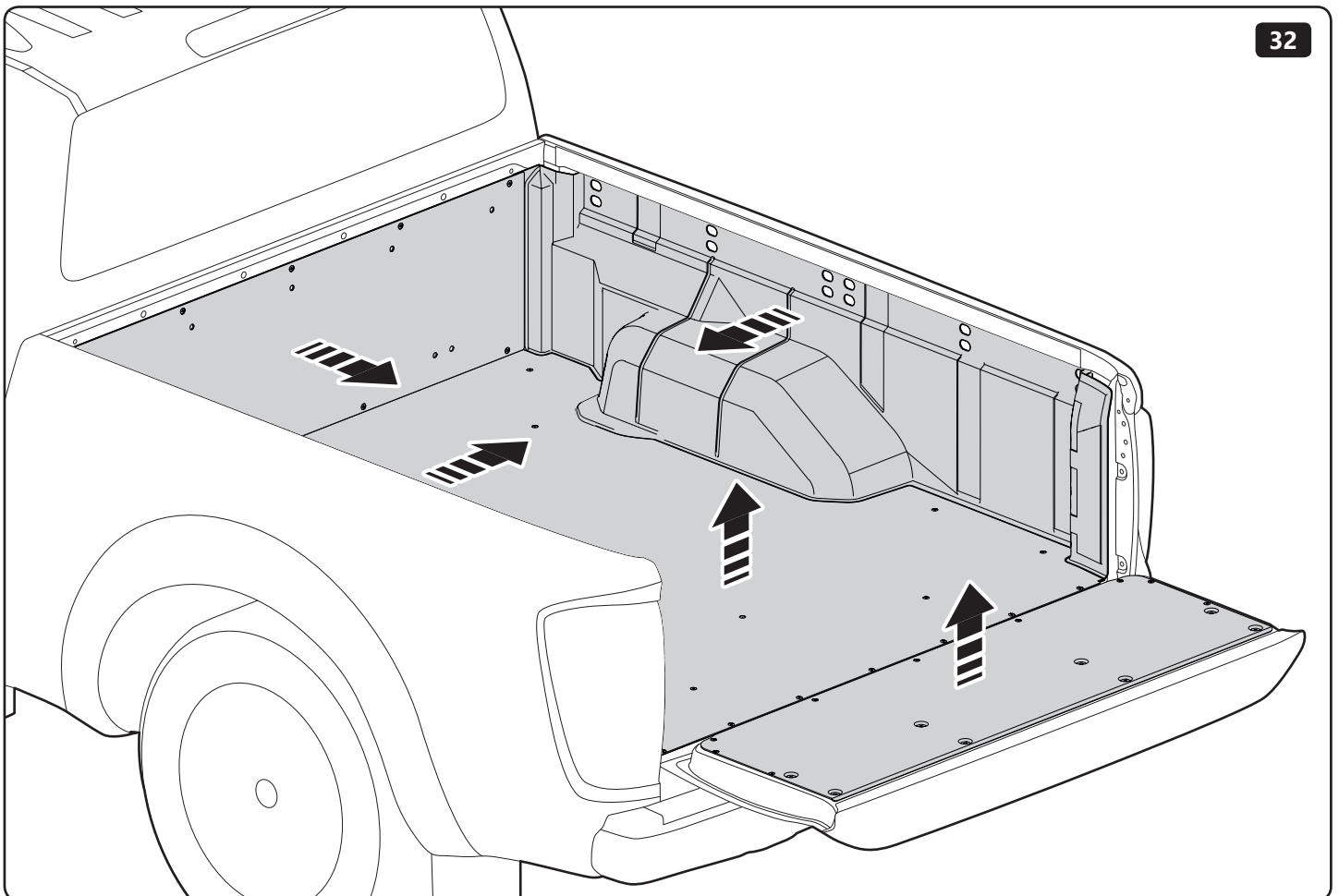
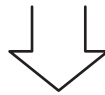
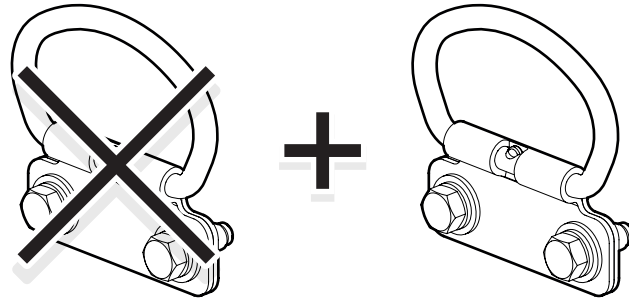


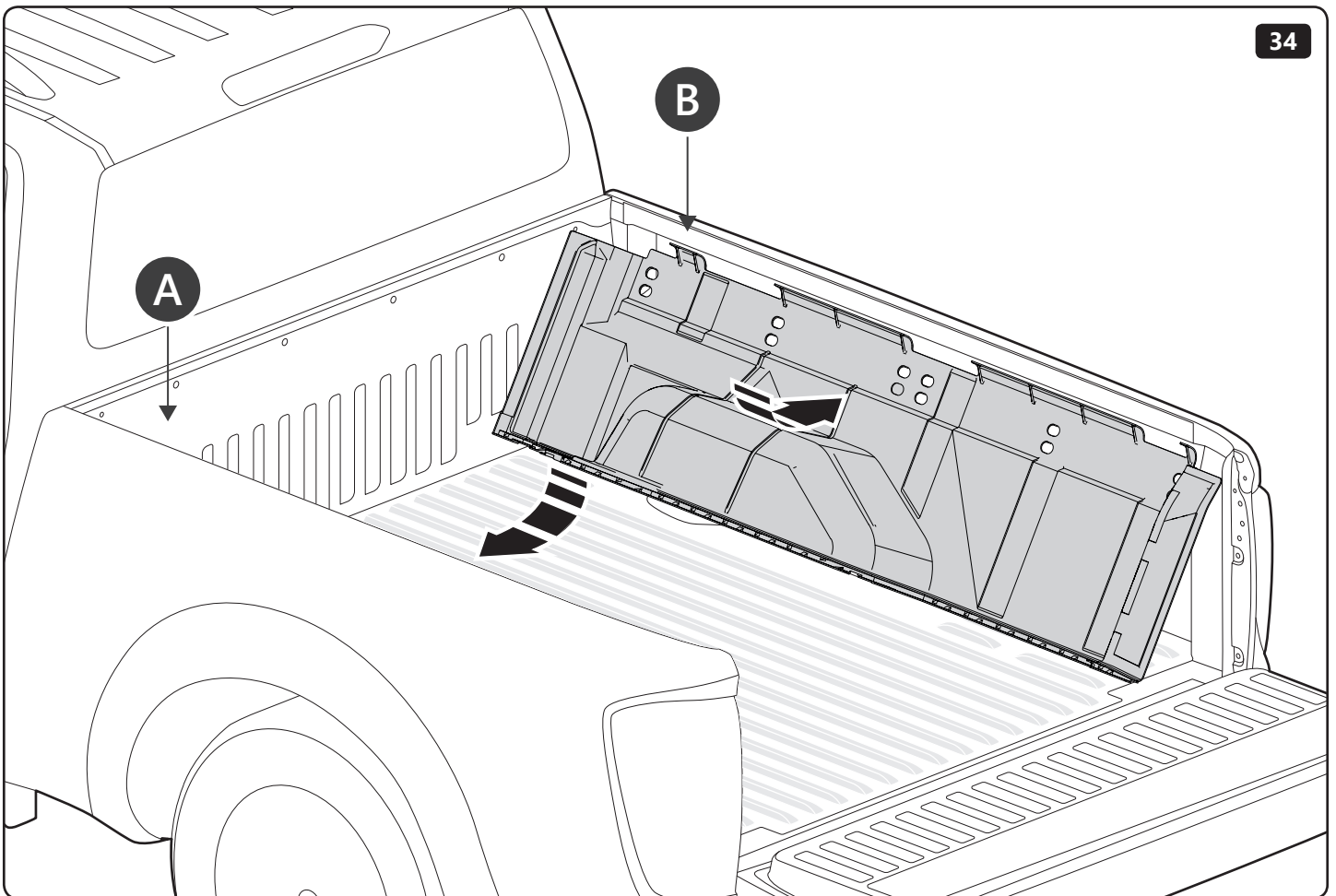
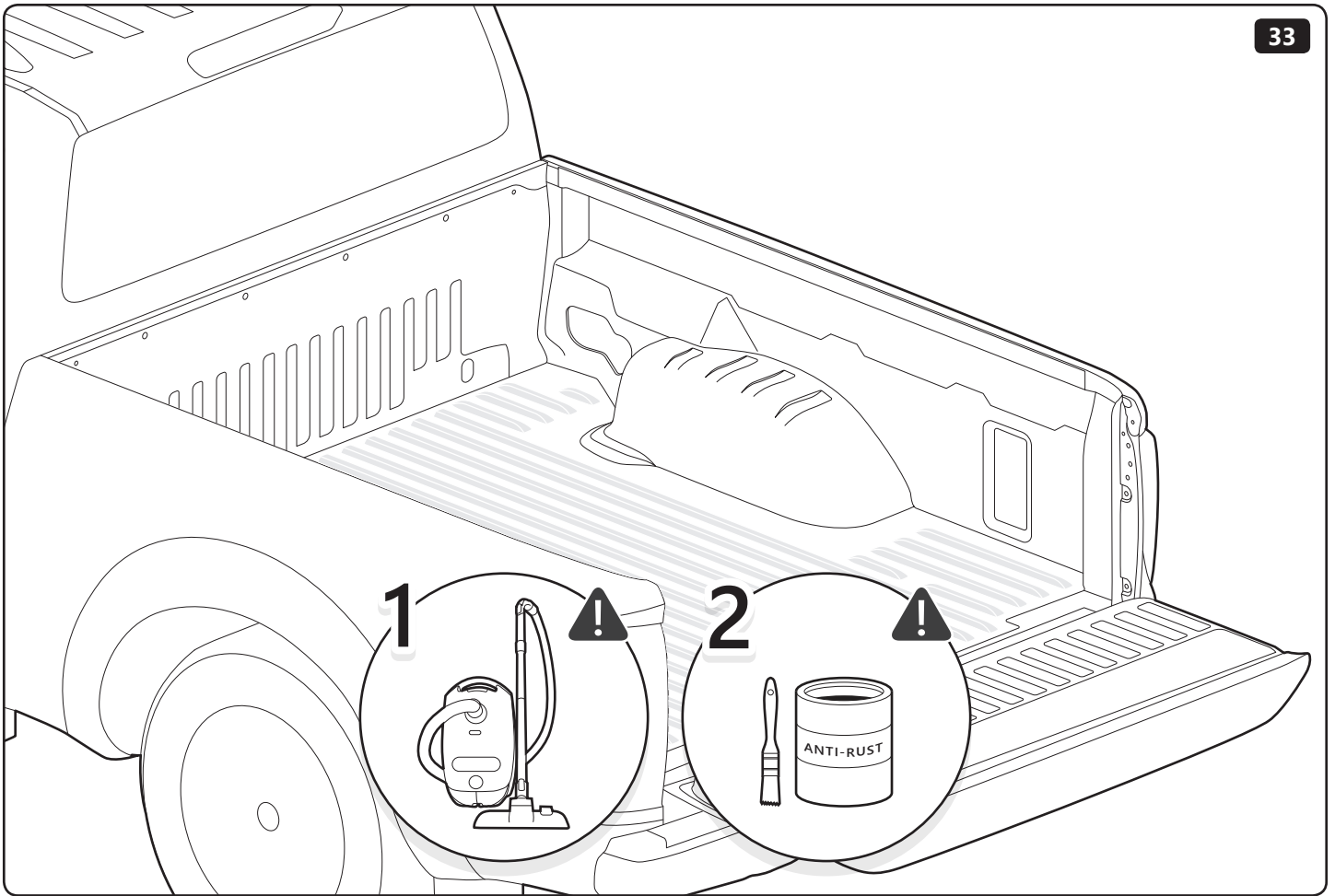




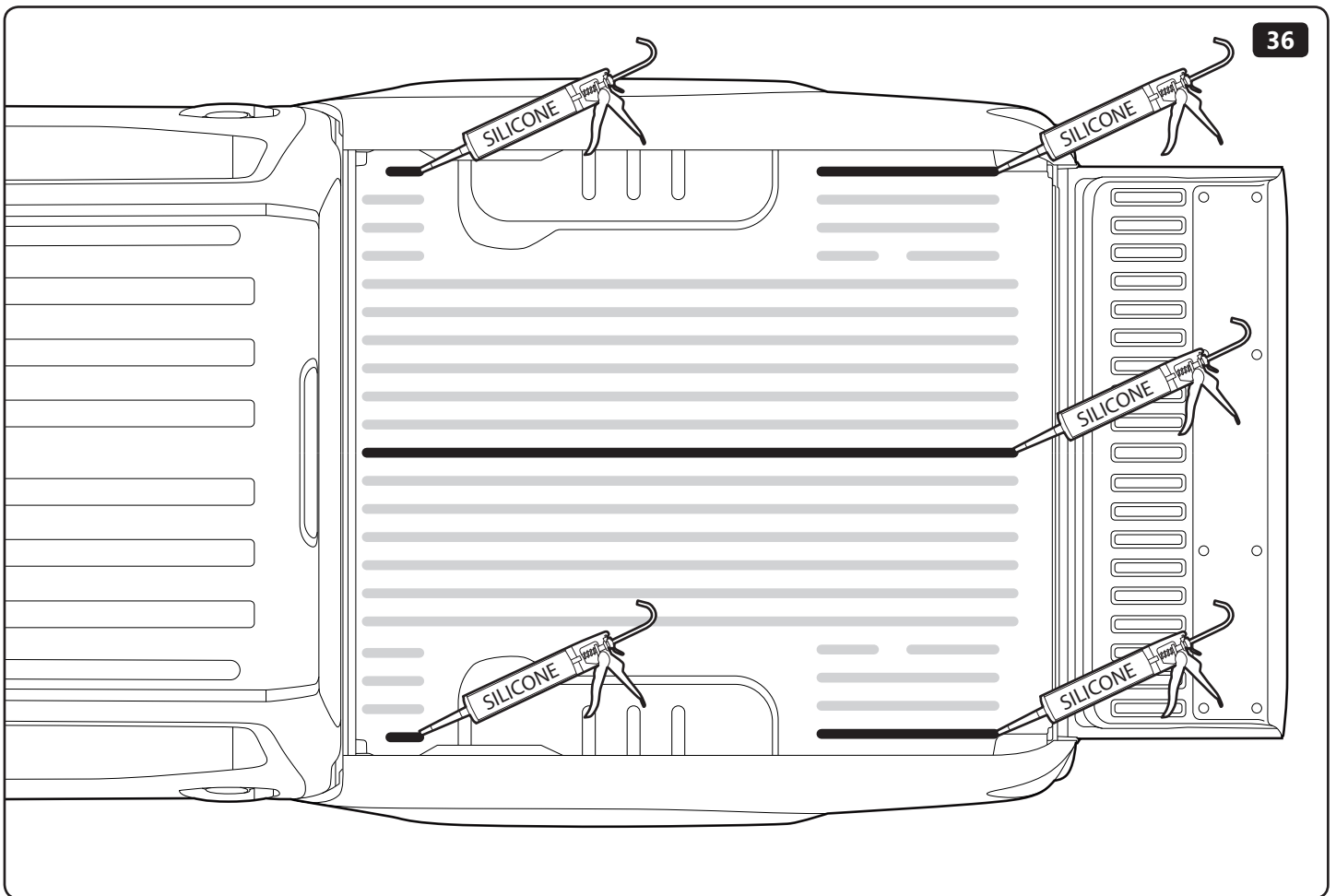
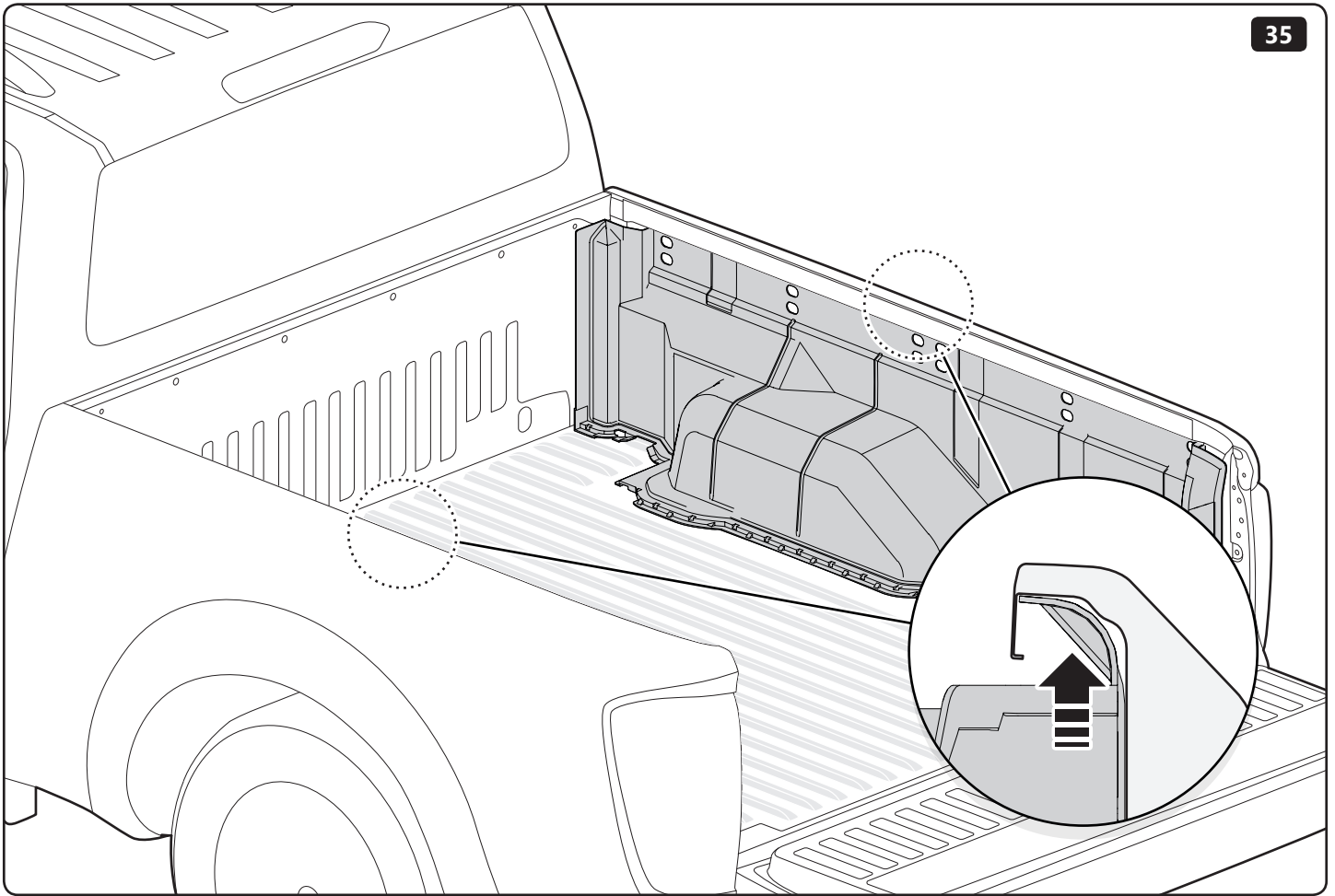


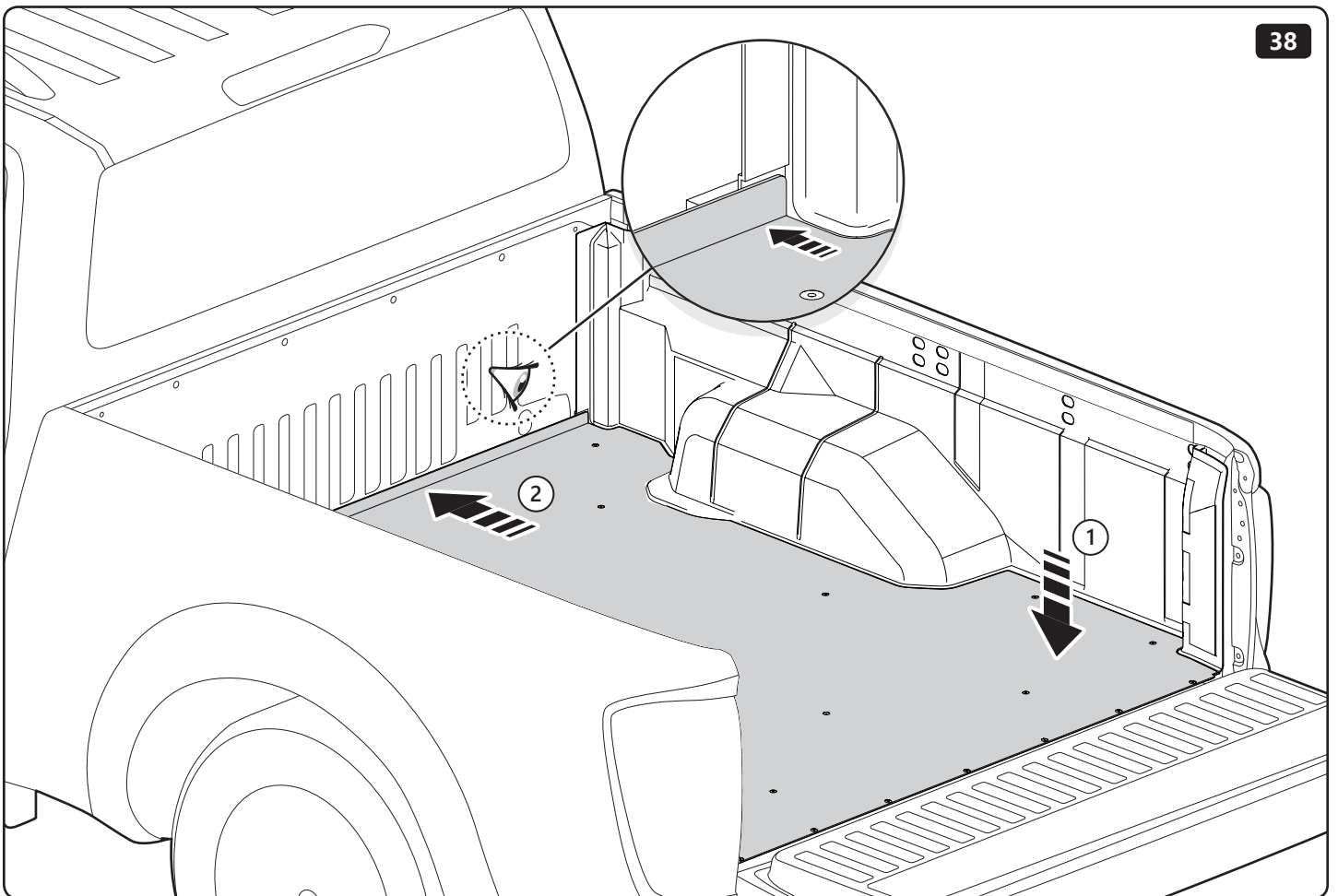
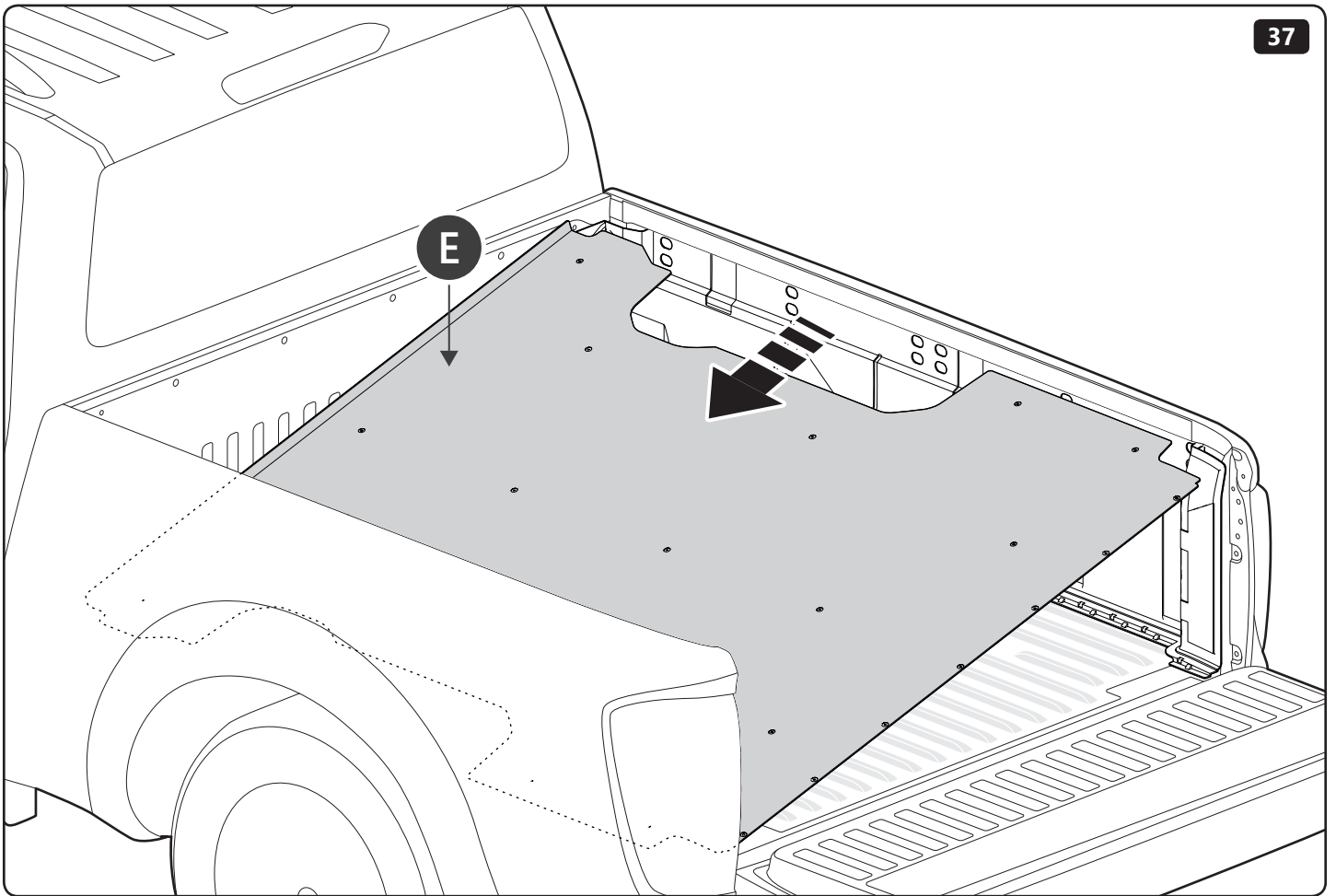




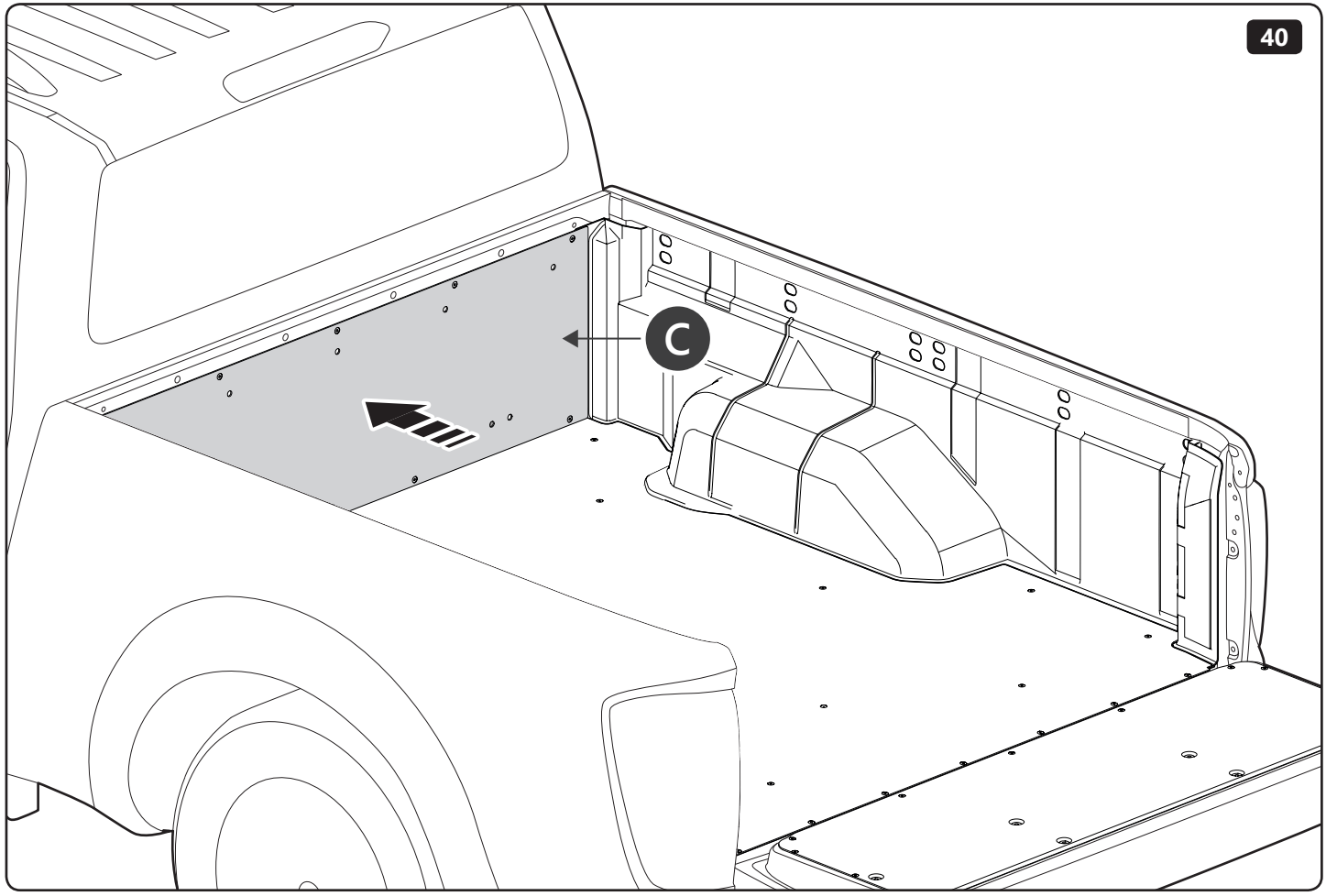
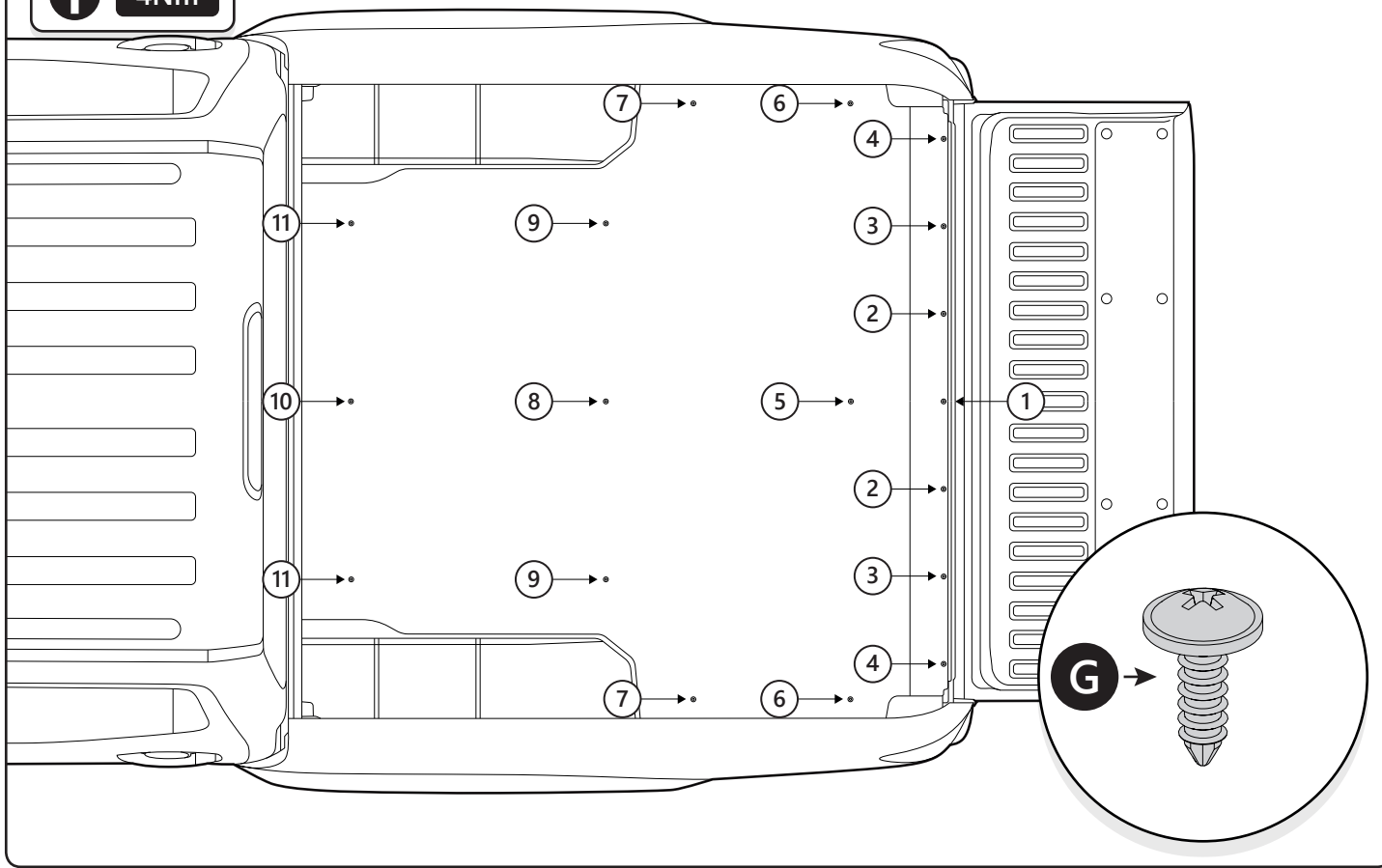


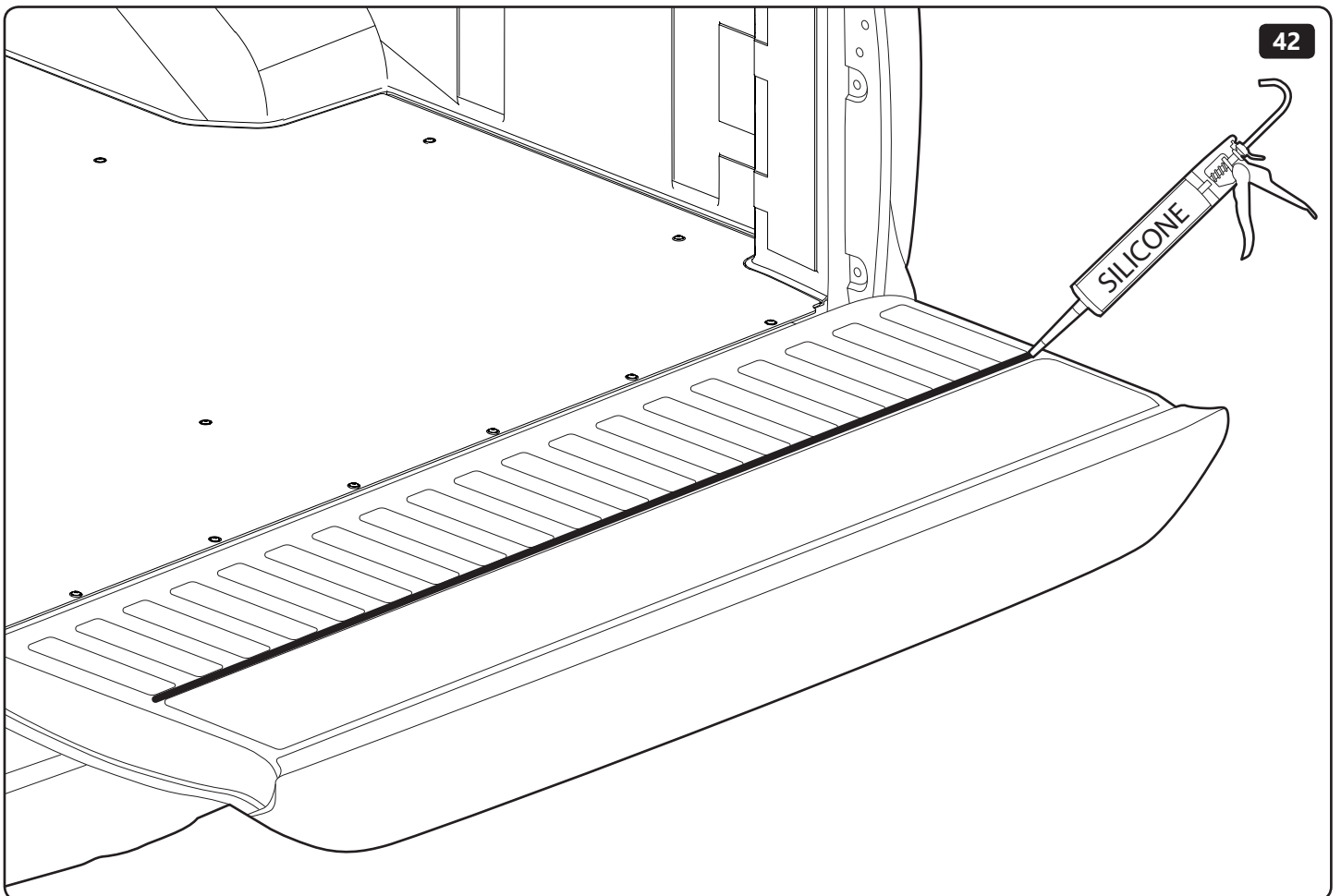
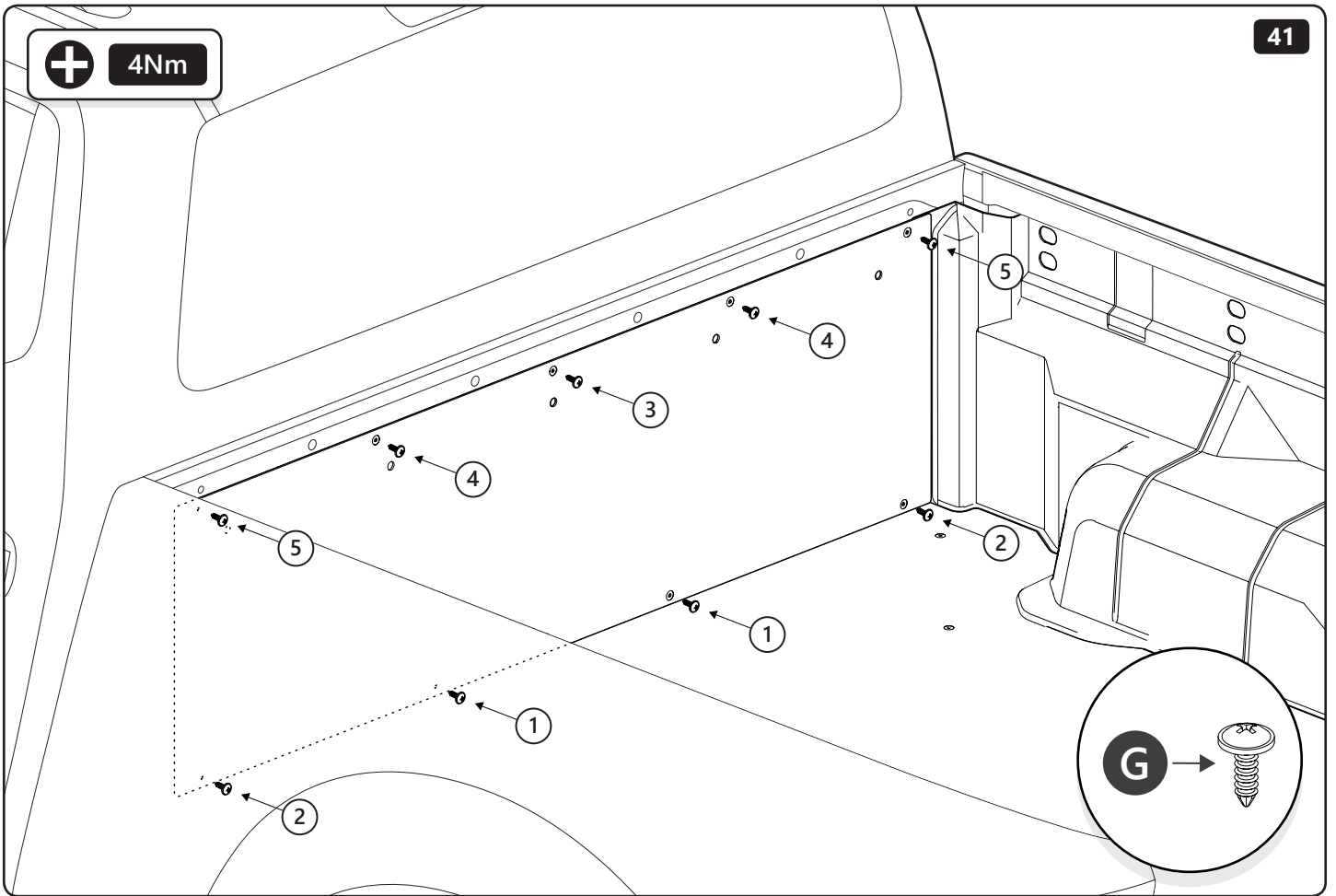


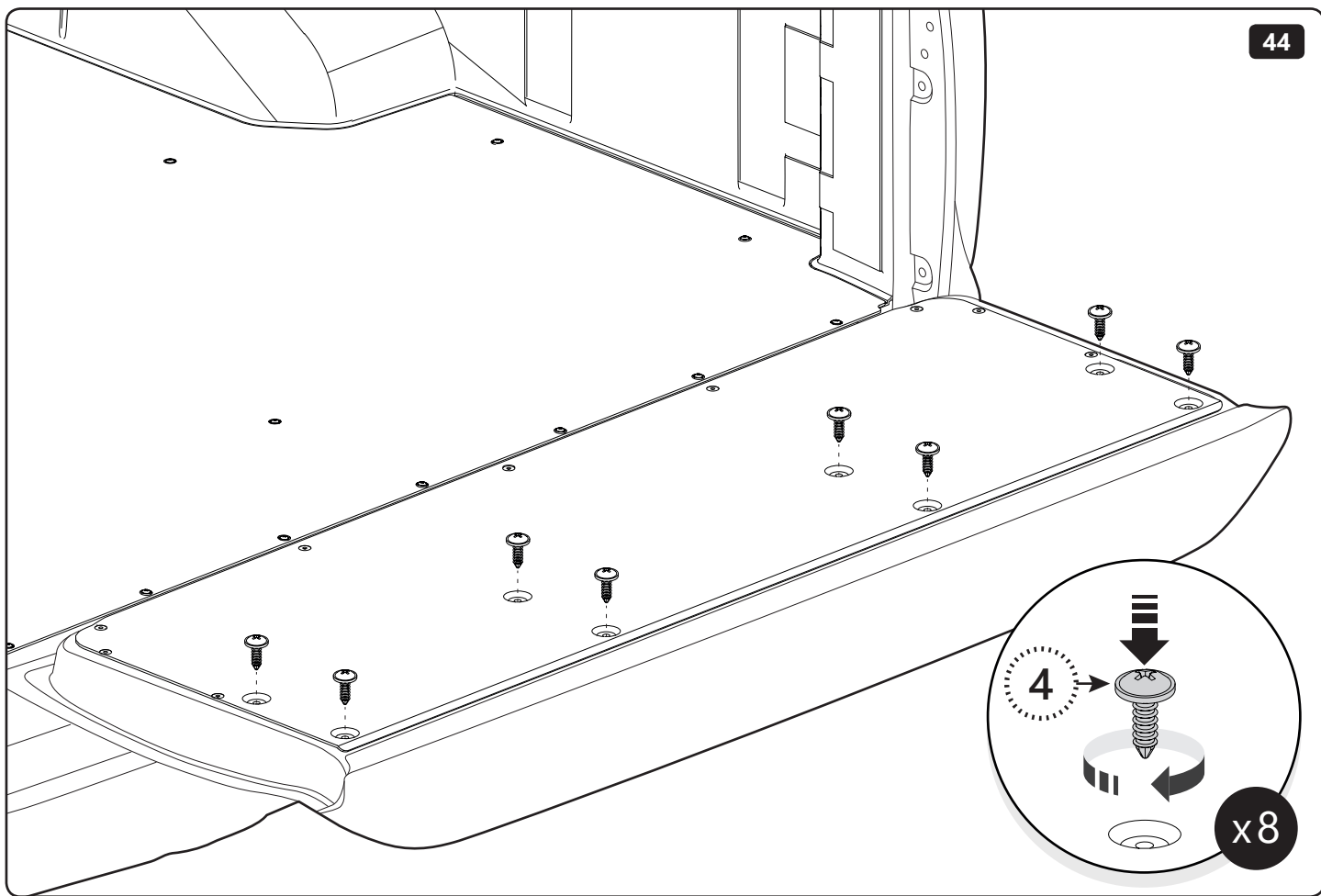
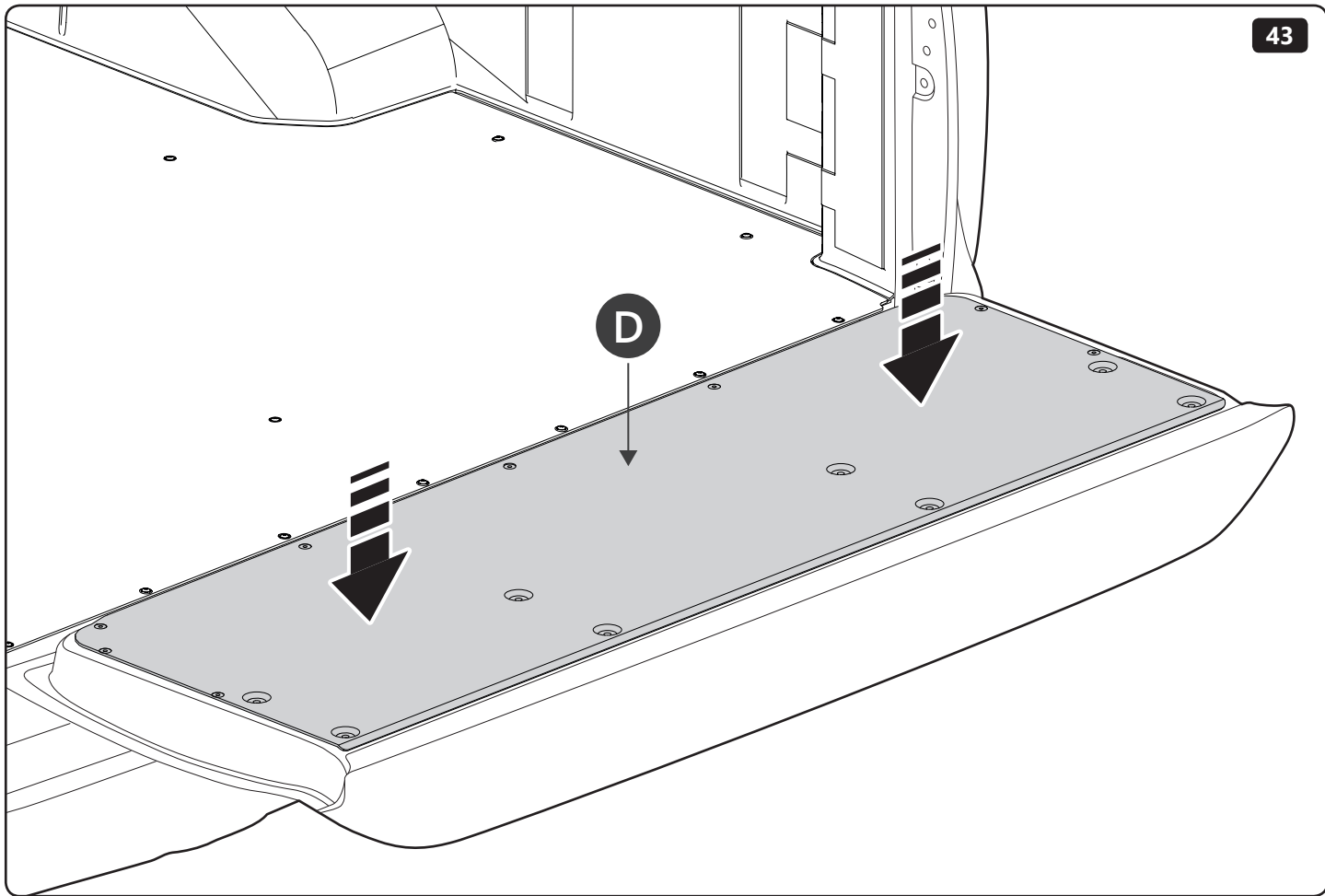




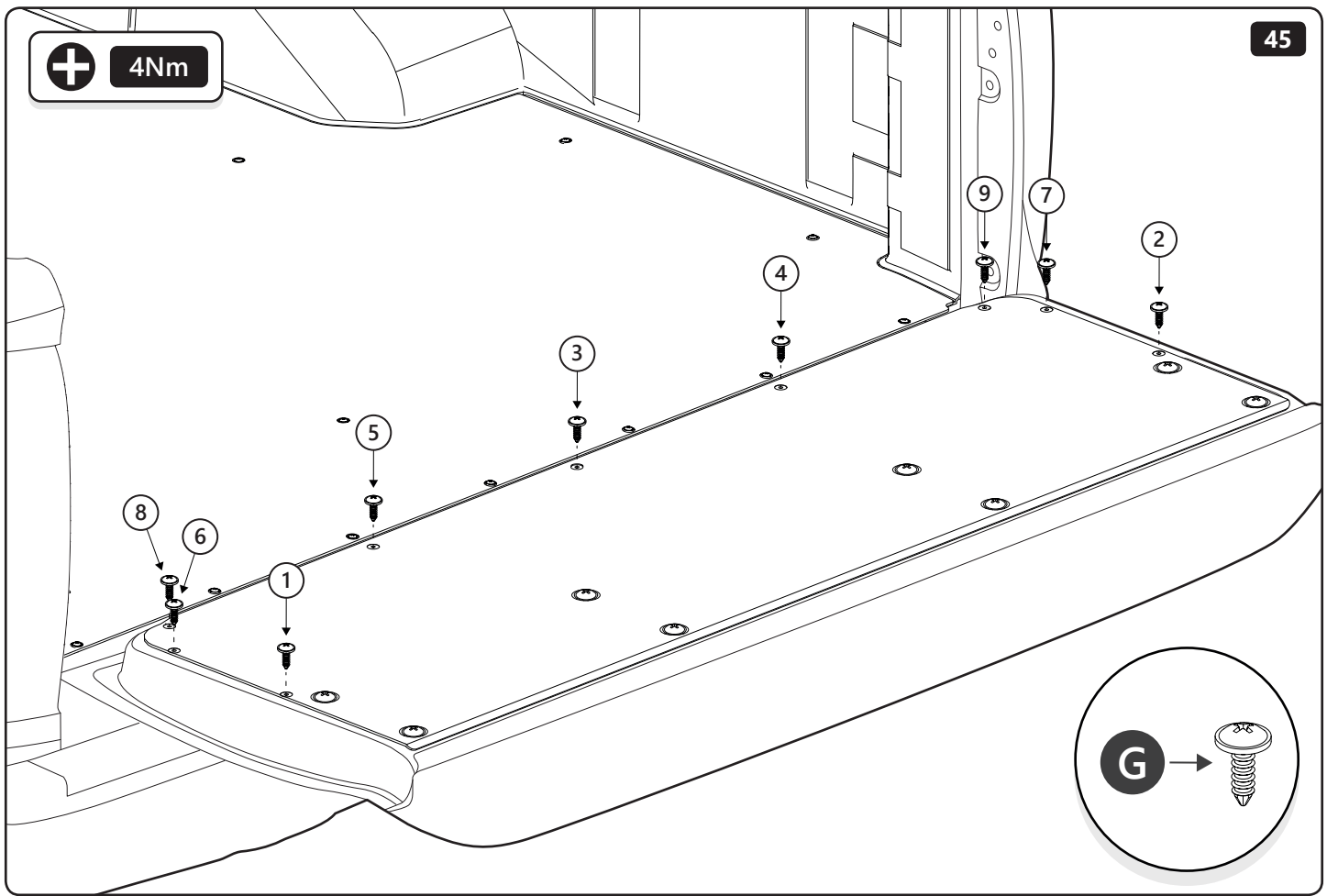
**+** 4Nm

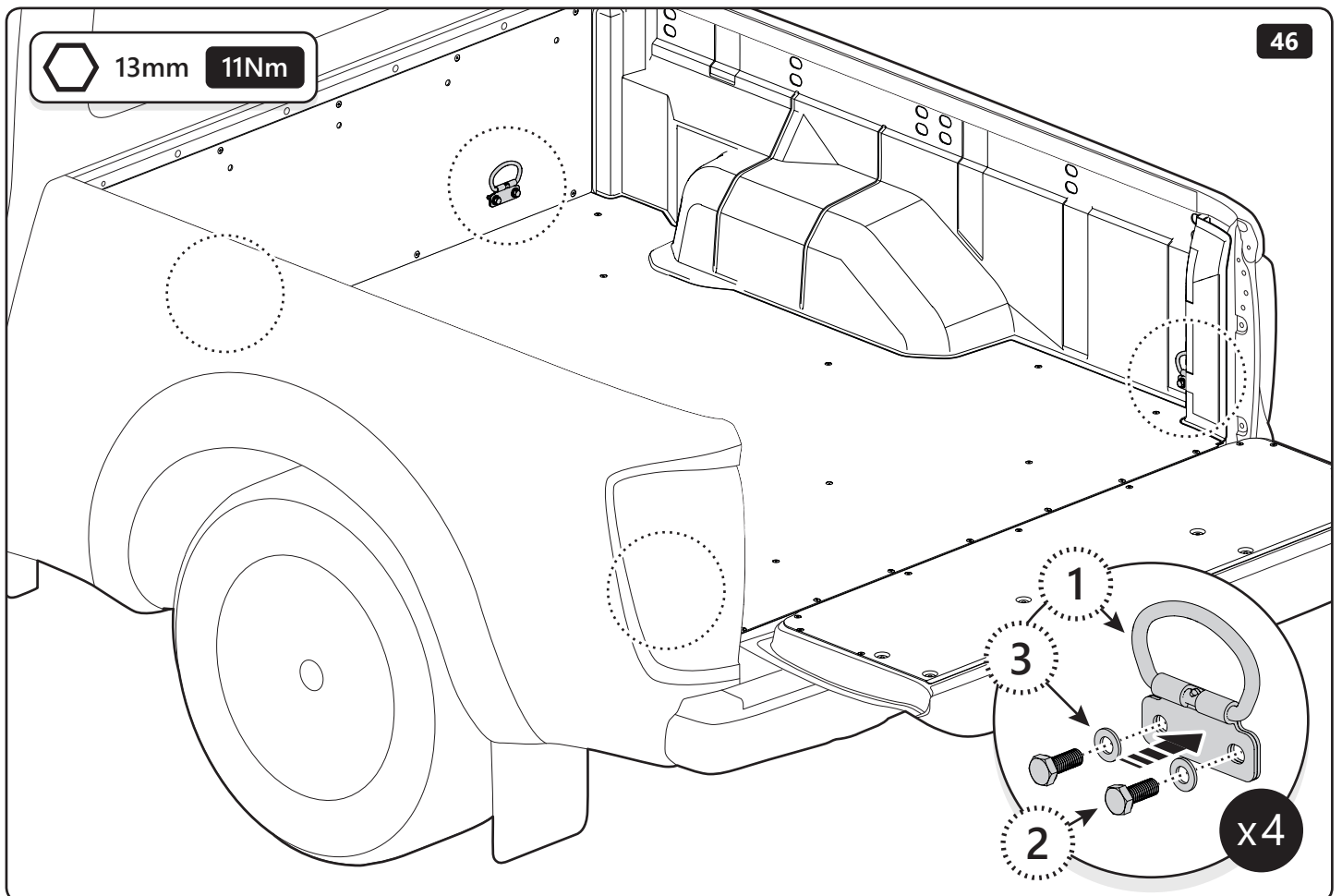
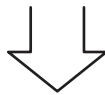
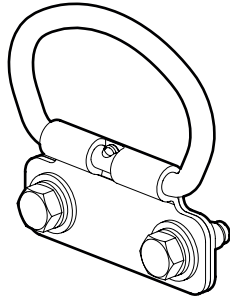


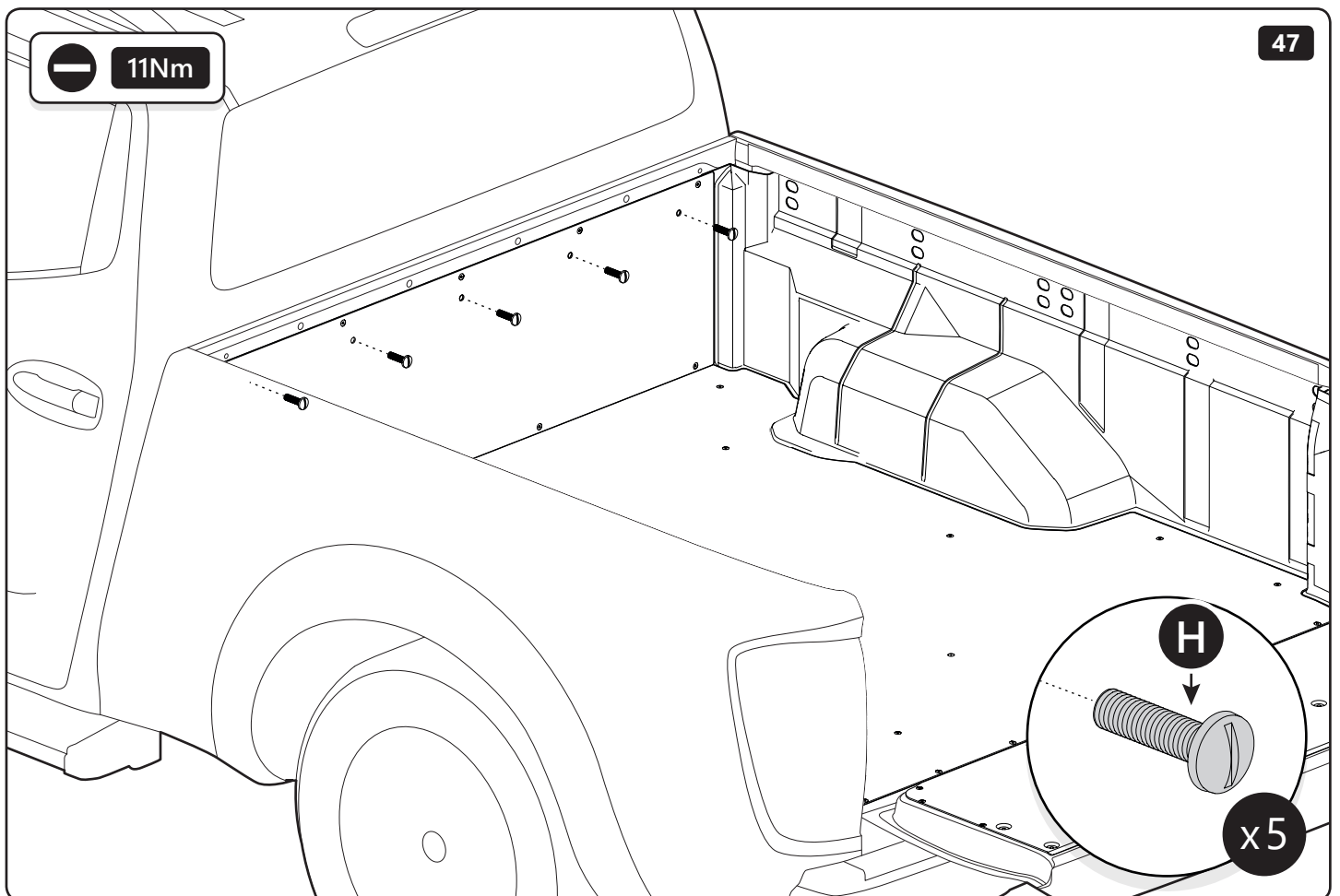
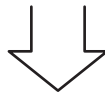
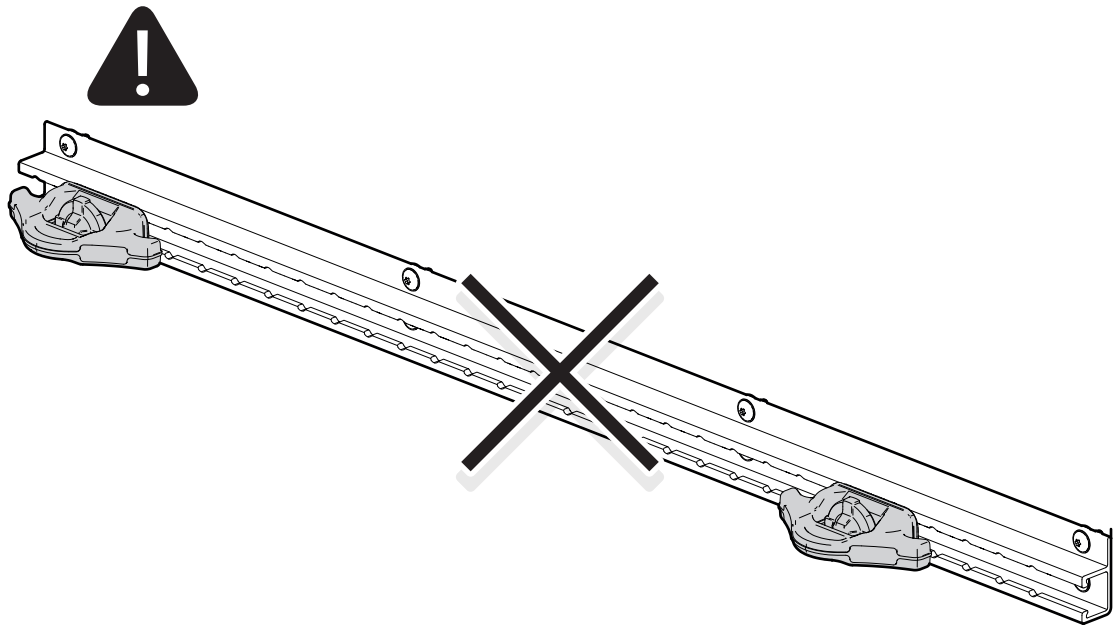




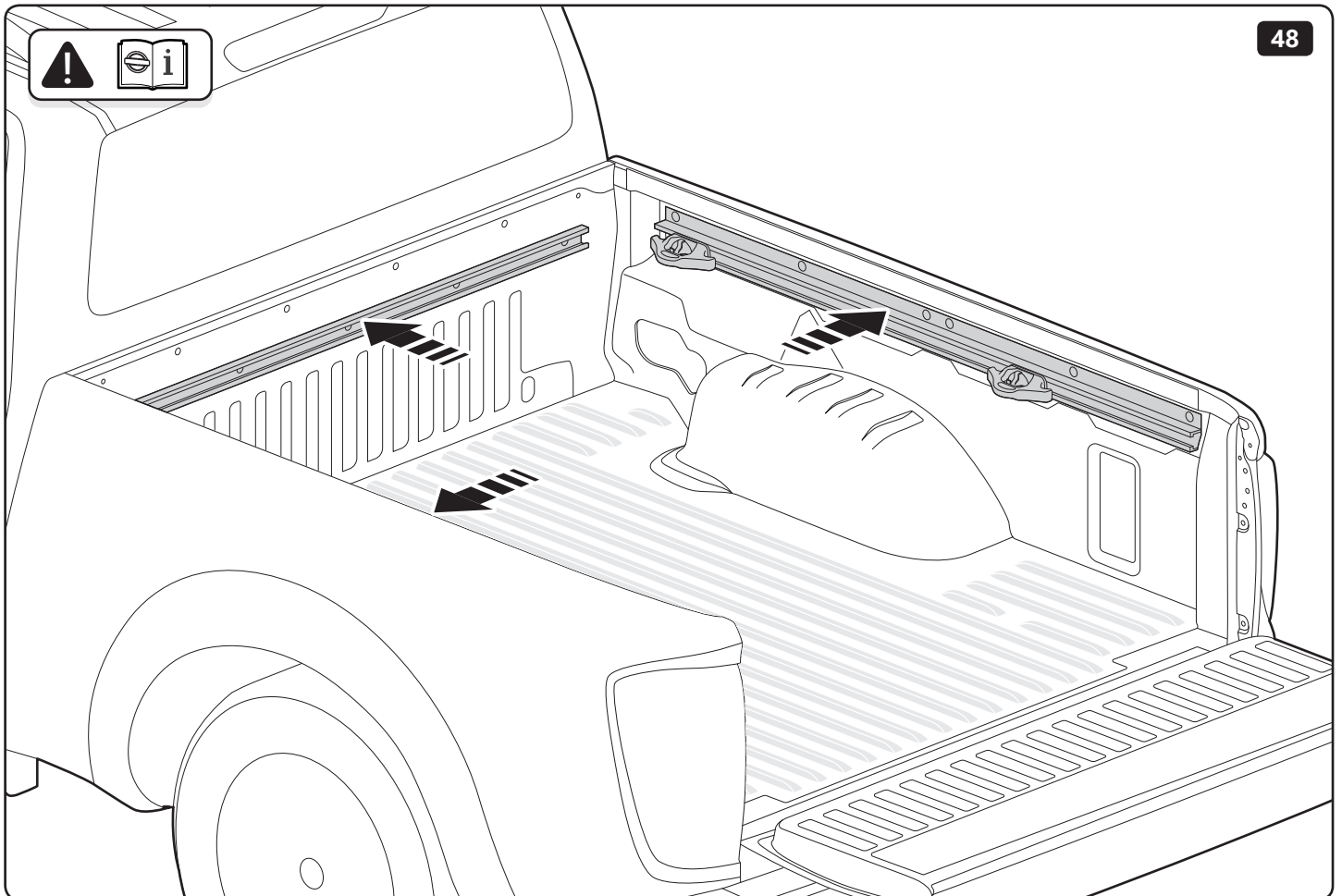
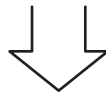
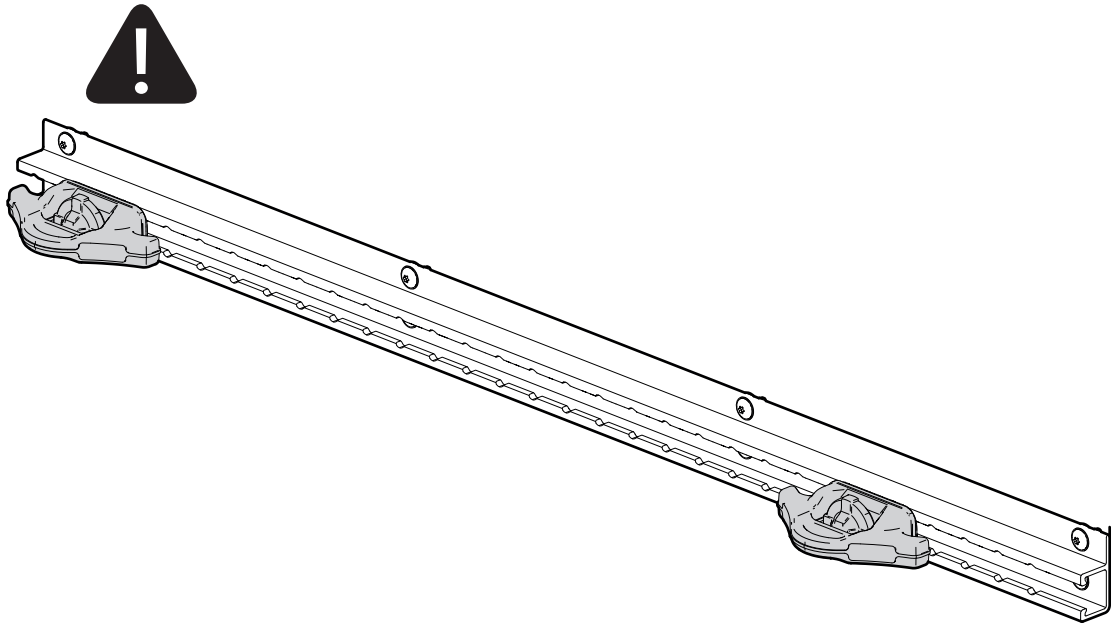
**+** 4Nm

















Customer Service +45 4810 2950 (08:00 - 16:00 CET)  
Fax +45 4810 2960  
Support [info@mountaintop.dk](mailto:info@mountaintop.dk)  
Website [www.mountaintop.dk](http://www.mountaintop.dk)  
Address Pedersholmparken 10, 3600 Frederikssund, Denmark

PART NUMBER(S)	MODEL / YEAR	CAB TYPE(S)	INSTALLATION TIME	WEIGHT
AL NI91	Nissan Navara / 2015 →	King Cab	1 hour(s)	24 Kg

<b>GB</b> Installation manual	<b>S</b> Monteringsanvisning	<b>D</b> Einbauanleitung
<b>SF</b> Asennusohje	<b>E</b> Instrucciones de montaje	<b>CZ</b> Návod k instalaci
<b>F</b> Notice de montage	<b>H</b> Szerelési utasítás	<b>I</b> Istruzioni de montaggio
<b>PL</b> Instrukcja montażu	<b>P</b> Instruções de instalação	<b>GR</b> Οδηγίες Εγκατάστασης
<b>NL</b> Installatie-instructies	<b>RUS</b> Инструкция по установке	<b>DK</b> Monteringsvejledning
<b>TR</b> Montaj Talimatı	<b>N</b> Monteringsveiledning	<b>RO</b> Instructiuni de instalare